

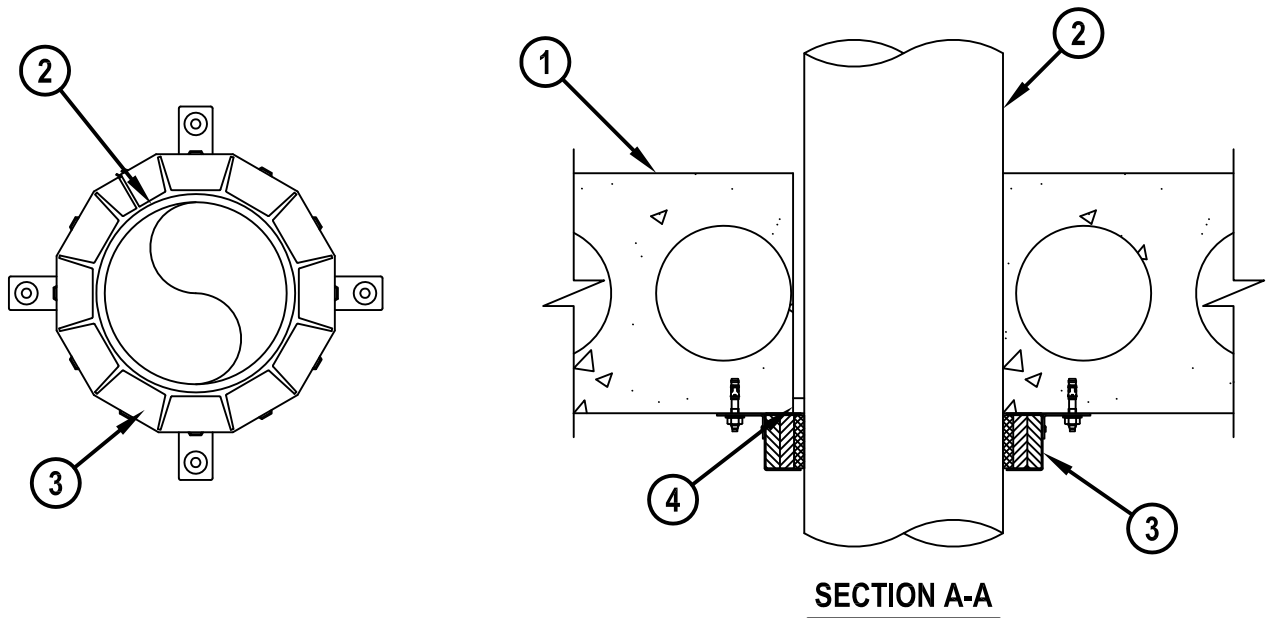


Classified by
Underwriters Laboratories, Inc.
to UL 1479

System No. C-BJ-2021

F Rating — 2 Hr
T Ratings — 0 and 2 Hr (See Item 2)

CBJ 2021



1. Floor or Wall Assembly — Min 6 in. (152 mm) thick reinforced lightweight or normal weight (100-150 pcf or 1600-2400 kg/m³) concrete. Floor assembly may also be constructed of any 6 in. (152 mm) thick UL Classified hollow-core Precast Concrete Units*. Wall may also be constructed of any UL Classified Concrete Blocks*. Max diameter of opening is 7 in. (178 mm).
See Concrete Blocks (CAZT) and Precast Concrete Units (CFTV) category in the Fire Resistance Directory for names of manufacturers.
2. Through Penetrants — One nonmetallic pipe to be installed concentrically or eccentrically within the firestop system. Annular space between pipe or conduit and edge of opening to be min 0 in. (point contact) and max 1/2 in. (13 mm). Pipe to be rigidly supported on both sides of floor-ceiling assembly. The following types and sizes of nonmetallic pipes may be used:
 - A. Polyvinyl Chloride (PVC) Pipe — Nom 6 in. (152 mm) diam (or smaller) Schedule 40 solid or cellular core PVC pipe for use in closed (process or supply) or vented (drain, waste or vent) piping systems.
 - B. Chlorinated Polyvinyl Chloride (CPVC) Pipe — Nom 6 in. (152 mm) diam (or smaller) SDR17 CPVC pipe for use in closed (process or supply) or vented (drain, waste or vent) piping systems.
 - C. Acrylonitrile Butadiene Styrene (ABS) Pipe — Nom 6 in. (152 mm) diam (or smaller) Schedule 40 solid or cellular core ABS pipe for use in closed (process or supply) or vented (drain, waste or vent) piping systems.
 The T Rating for the firestop system is 2 hr except that when 6 in. (152 mm) diam cellular core ABS pipe is used in floors less than 8 in. (203 mm) thick, the T Rating is 0 hr.
3. Fill, Void or Cavity Materials*-Sealant — Min 1/2 in. (13 mm) thickness of fill material applied within the annulus, flush with bottom surface of floor. HILTI CONSTRUCTION CHEMICALS, DIV OF HILTI INC — FS-ONE Sealant or FS-ONE MAX Intumescent Sealant.
4. Firestop Device*- Firestop Collar — Firestop collar shall be installed in accordance with the accompanying installation instructions. Collar to be installed and latched around the pipe and secured to underside of floor or both sides of wall using the anchors provided with the collar. Minimum 2 anchor hooks for 1-1/2 and 2 in. (38 and 51 mm) diam pipes, 3 anchor hooks for 3 and 4 in. (76 and 102 mm) diam pipes and 4 anchor hooks for 6 in. (152 mm) diam pipes. The anchor hooks are to be secured with 1/4 in. (6 mm) diam by min 1-1/2 in. (38 mm) long steel expansion bolts, in conjunction with steel nuts and min 3/4 in. (19 mm) diam steel washers with one anchor bolt in each anchor hook.
HILTI CONSTRUCTION CHEMICALS, DIV OF HILTI INC — CP 643 50/1.5"N, CP 643 63/2"N, CP 643 90/3"N, CP 643 110/4"N and CP643 160/6"N. Firestop Collar

* Indicates such products shall bear the UL or cUL Certification Mark for jurisdictions employing the UL or cUL Certification (such as Canada), respectively.



Hilti Firestop Systems

Reproduced by HILTI, Inc. Courtesy of
Underwriters Laboratories, Inc.
January 15, 2015