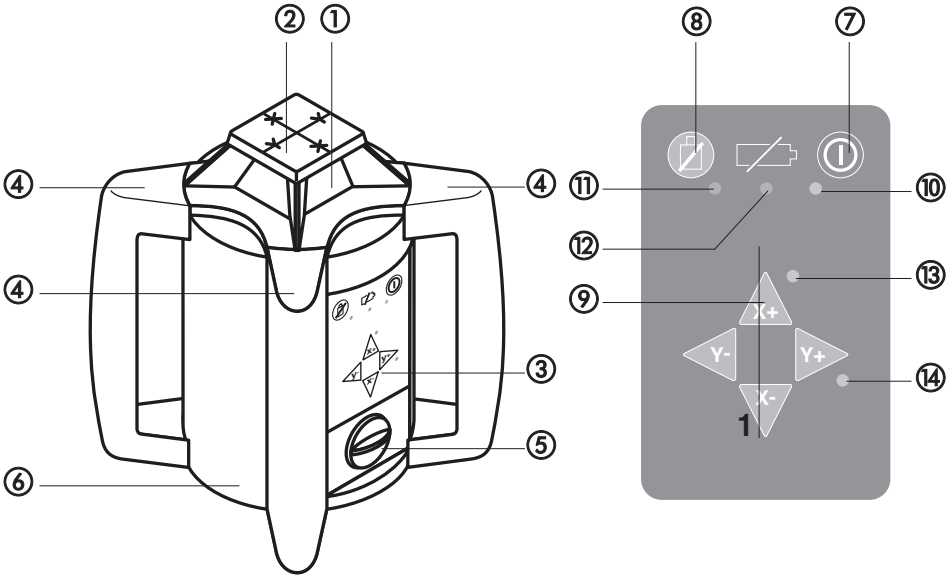


# PR 20

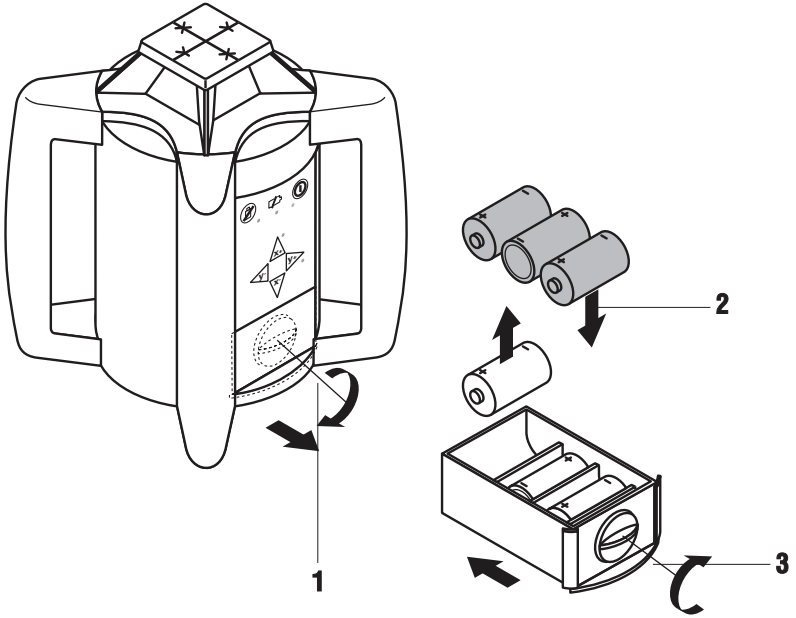
- en** **Operating instructions**
- fr** **Mode d'emploi**
- pt** **Manual de instruções**
- es** **Manual de instrucciones**

# HILTI

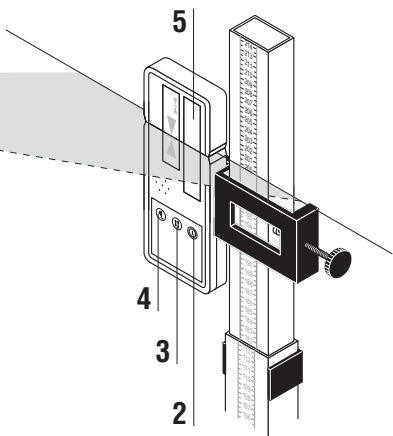
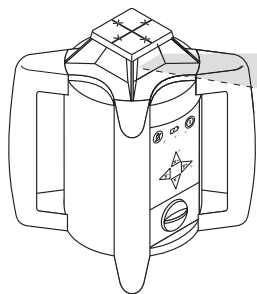
1



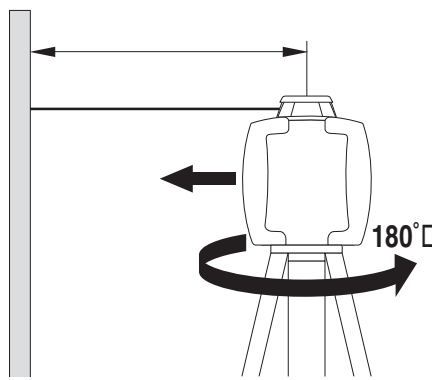
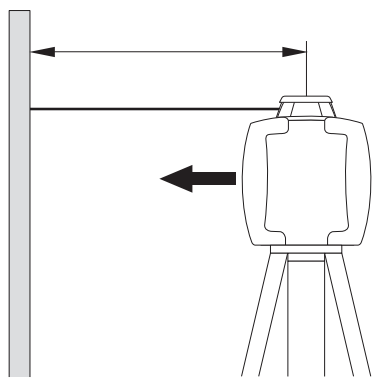
2



3



4



**It is essential that the operating instructions are read before the tool is used the first time.**

**Always keep these operating instructions together with the tool.**

**Ensure that the operating instructions are with the tool when it is given to other persons.**

## Component parts **1**

### PR 20 rotating laser

- ① Laser beam (plane of rotation)
- ② Rotating head
- ③ Control panel
- ④ Grip
- ⑤ Battery compartment
- ⑥ Base plate with 5/8" thread

### PR 20 control panel

- ⑦ On / off button
- ⑧ Shock warning deactivation key
- ⑨ Servo key (sets X/Y inclination / direction)
- ⑩ Auto leveling LED
- ⑪ Shock warning deactivation LED
- ⑫ Battery LED
- ⑬ X-inclination / direction LED
- ⑭ Y-inclination / direction LED

## Contents

	Page
1. General information .....	2
2. Description .....	2
3. Accessories .....	3
4. Technical data .....	4
5. Safety precautions .....	5
6. Getting started .....	7
7. Operation .....	8
8. Hilti calibration service .....	9
9. Care and maintenance .....	10
10. Disposal .....	10
11. Manufacturer's warranty – tools ...	11
12. FCC statement .....	12
13. EC declaration of conformity .....	12

## 1. General information

### 1.1 Safety notices and their meaning

#### - CAUTION -

This word indicates a possibly hazardous situation which could result in slight bodily injuries or damage to property.

#### - NOTE -

This word indicates information to help the user employ the product efficiently, and other useful notes.

### 1.2 Pictograms

#### Warning signs



General warning



Laser class 2  
(Do not stare into the beam.)



#### Symbole



Read the operating instructions before use.



Return waste material for recycling

**1** These numbers refer to the corresponding illustrations. The illustrations can be found on the fold-out cover pages. Keep these pages open when studying the operating instructions. In these operating instructions, the PR 20 rotating laser is referred to as "the tool".

### 1.3 Location of identification data on the tool

The type designation and serial number can be found on the rating plate on the tool. Make a note of this data in your operating instructions and always refer to it when making an enquiry to your Hilti representative or service department.

Type : PR 20

Serial-no.: \_\_\_\_\_

## 2. Description

### 2.1 PR 20 rotating laser

The PR 20 is a rotating laser with one rotating laser beam.

### 2.2 Features

- \_ The tool allows a single person to level or align in any plane quickly and with great accuracy (always in conjunction with the PRA 20 laser detector).
- \_ The laser's speed of rotation is 300 r.p.m. (revolutions per minute) once the tool has leveled itself.
- \_ Automatic leveling (within  $\pm 5^\circ$  inclination).
- \_ LEDs for indication of operating status
- \_ Built-in shock warning: The tool switches to warning mode (all LEDs blink, laser stops rotating) when brought out of level as a result of vibration or an impact during operation.
- \_ Automatic cut-out: The laser remains switched off and all LEDs blink if the tool is outside its self-leveling range or if movement of the mechanism is physically impeded.

- \_ The tool can be set up on a tripod with a 5/8" thread or stood directly on some other steady surface.
- \_ The tool is easy to operate, robustly built and comparatively light in weight.

## 2.3 Description of functions

### 2.3.1 Horizontal plane (automatic leveling)

When switched on, the tool levels itself automatically by way of the 2 built-in servo motors for the X- and Y-directions.

### 2.3.2 Inclined plane (manual adjustment to any desired slope)

Inclination can be set up in alignment with given marks or contours by pressing the X- and Y-keys.

### 2.3.3 Automatic cut-out

During automatic leveling in one or both directions, the servo system monitors compliance with the specified accuracy. The tool switches itself off in the following situations:

- Leveling is not accomplished (tool set up outside leveling range or mechanism physically impeded)
- The tool is brought out of level (due to vibration or impact)

After automatic cut-out, rotation of the laser beam stops and all LEDs blink.

### Items supplied

1 PR 20 rotating laser
1 PRA 20 laser detector
1 PRA 75 laser detector holder
1 PR 20 operating instructions
1 PRA 20 operating instructions
3 batteries (size D cells)
2 batteries (size AA cells)
1 PRA 52 slope calculator
1 manufacturer's certificate
1 desiccant sachet
1 Hilti toolbox

## 3. Tools and accessories

### Accessories

Various tripods	PA 910, PA 911, PA 921 and PA 931/2
Laser detector	PRA 20
Laser detector-holder	PRA 75
Leveling staffs	PA 950/960 and PA 951/961
Battery charger	PUA 80
Battery pack	PRA 801
Slope calculator	PRA 52

## 4. Technical data for the PR 20

### Range (diameter)

2 to 400m [6 to 1300'] with PRA  
20 laser detector

---

### Accuracy (at 24°C/+75°F)

± 0.5mm @ 10m [0.2" @ 32.8']

---

### Laser product class

Class 2, visible, 650nm, < 1mW  
(IEC825-1/EN60825;  
FDA 21 CFR 1040)

---

### Speed of rotation [r.p.m.]

300 (operating speed)

---

### Self-leveling range

± 5°, LED indicator

---

### Automatic cut-out

When the laser is brought out of  
level (after 1 minute), unless both  
axes set to inclined mode:

- rotation stops
  - all LEDs blink
- 

### Status indicators

- Auto leveling LED
  - Battery condition LED
  - Shock warning LED
  - X inclination/direction LED
  - Y inclination/direction LED
- 

### Power supply

3 x size D alkaline batteries

---

### Battery life at 20°C [+68°]

Alkaline batteries: > 80 hours  
NiMH batteries: > 60 hours

---

### Operating temperature

-20 to +50°C  
[-4° to +122°F]

---

### Storage temperature

-30 to +60°C dry  
[-22° to +140°F]

---

### Protection class

IP 56 (as per IEC 529)

---

### Tripod thread

5/8" x 18

---

### Weight

Approx. 2.4 kg (5.3 lbs.)  
including 3 batteries

---

### Dimensions

186(L) x 186(W) x 213(H) mm  
[7.3"(L) x 7.3"(W) x 10.9"(H) inches]

---

## 5. Safety precautions

### 5.1 Basic information concerning safety

In addition to the information relevant to safety given in each of the sections of these operating instructions, the following points must be strictly observed at all times.

### 5.2 Intended use

The tool is designed to be used for determining, transferring or checking alignment in the horizontal and inclined planes, e.g.:

- Transferring datum and height marks
- Setting out inclines

Hilti offers various accessories that allow optimum use to be made of the tool.

### 5.3 Misuse



- The tool and its accessories may present hazards when used incorrectly by untrained personnel or when used not as directed.
- To avoid the risk of injury, use only original Hilti accessories and additional equipment.
- Modification of the tool is not permissible.
- Observe the information printed in the operating instructions concerning operation, care and maintenance.
- Do not render safety devices ineffective and do not remove information and warning notices.
- Keep laser tools out of reach of children.
- Have the tool repaired only at a Hilti service centre. Failure to follow the correct procedures when opening the tool may cause emission of laser radiation in excess of class 2.

- Take the surrounding conditions into account. Do not use the tool where there is a risk of fire or explosion.

### 5.4 Proper organization of the workplace



- Secure the area in which you are working. When setting up the tool, take care to avoid directing the beam towards yourself or other people.
- Avoid unfavorable body positions when working on ladders. Make sure you have a stable stance and stay in balance at all times.
- Measurements taken through panes of glass or other objects may be inaccurate.
- Ensure that the tool is set up on a steady surface (not subject to vibration).
- Use the tool only within its specified limits.

#### 5.4.1 Electromagnetic compatibility

Although the tool complies with the strict requirements of the relevant guidelines, Hilti cannot entirely rule out the following possibilities:

- The tool may cause interference to other equipment, e.g. aircraft navigational equipment.
- The tool may be subject to interference caused by powerful radiation, which can then lead to incorrect operation. Check the readings for plausibility when measuring in these conditions or if you are unsure of the results.



### 5.4.2 Laser classification

The tool conforms to laser class 2 based on the IEC825-1 / EN60825-01 standard and class II based on CFR 21 § 1040 (FDA). These tools may be used without need for further protective measures. The eyelid closure reflex protects the eyes if a person looks into the beam unintentionally for a brief moment. The eyelid closure reflex can, however, be negatively influenced by medication, alcohol or drugs. Nevertheless, as with the sun, a person should not look directly into sources of bright light. The laser beam should not be directed towards persons.

### Laser information plates based on IEC825 / EN6082-1



### Laser information plates for the US based on CFR 21 § 1040 (FDA)



This laser product complies with 21 CFR 1040, as applicable.

## 5.5 General safety precautions

- Check the tool before use. If the tool is found to be damaged, have it repaired at a Hilti service center.
- The accuracy of the tool must be checked after it has been dropped or subjected to other mechanical stressing.
- When the tool is brought into a warm environment from very cold conditions, or vice versa, allow it to become acclimatized before use.
- If mounting on an adaptor, ensure that

the tool is screwed on securely.

- Keep the laser exit aperture clean to avoid measurement errors.
- Although the tool is designed for the tough conditions of jobsite use, as with other optical instruments (binoculars, spectacles, cameras) it should be treated with care.
- Although the tool is protected to prevent entry of dampness, it should be wiped dry each time before being put away in its transport container.
- Check the tool before using it for important leveling work.

### 5.5.1 Electrical

- Do not allow the batteries to fall into the hands of children.
- Do not overheat or incinerate the batteries. They may explode or release toxic substances.
- Do not attempt to recharge the batteries.
- Do not solder the batteries into the tool.
- Do not discharge the batteries by short circuiting. This may cause overheating and swelling of the batteries.
- Do not attempt to open the batteries and do not subject them to excessive mechanical stress.

## 6. Getting started



### -NOTE-

The tool may be powered only by the PRA 801 battery pack or by batteries manufactured according to the IEC standard.

### PR 801 battery pack

- The performance of the battery pack drops at low temperatures.
- Store the battery pack at room temperature.
- Never store the battery pack where it is exposed to direct sunlight, on a radiator or heater, or behind glass (windows, motor vehicle wind-screens, etc).

### Batteries

- Do not use damaged batteries.
- Do not mix old and new batteries. Do not mix batteries of different types or batteries from various manufacturers.

## 6.1 Switching on the tool

Press the ON / OFF key.

### -NOTE-

After switching on, the tool begins to level itself automatically.

## 6.2 LED indicators

### Auto leveling LED

The LED blinks rapidly.

The tool is leveling itself automatically.

The LED lights constantly.

The tool has leveled itself / is operating normally.

### Shock warning LED

All LED's blink.

The tool has been bumped or brought out of level temporarily.

The shock warning LED lights red.

The shock warning LED lights red after deactivation of the shock warning.

### Battery voltage LED

The LED lights.

The batteries are almost exhausted.

### Inclination LED

The X and Y LEDs do not light.

Operation in the horizontal plane.

The X LED does not light and

The Y LED lights red

Manual operation: Y-direction can be aligned manually by way of the servo keys.

X-direction is still under automatic control.

The X LED lights red and

The Y LED does not light

Manual operation: X direction can be aligned manually by way of the servo keys.

Y axis is still under automatic control.

The X LED lights red and

The Y LED lights red

Manual operation: X and Y directions can be aligned manually by way of the servo keys.

The shock warning system is deactivated.

## 6.3 Inserting new batteries **2**

1. Open the battery compartment by turning the locking button.
2. Insert the batteries in the battery compartment. Take care to ensure correct polarity.
3. Close the battery compartment by turning the locking button.

## 7. Operation



### 7.1 Switching the tool on and using the laser detector

1. The PRA 20 laser detector can be used within an area up to 400m (1300ft) in diameter. The laser beam is indicated by visible and audible signals.
2. Mount the PRA 20 detector securely on the telescopic staff or leveling staff and switch it on by pressing the on / off key.
3. Set the desired sensitivity by pressing the laser plane detection tolerance selection key.
4. Optional settings:  
Use the audible signal setting key to select the desired volume level. Switching on sets the detector to the standard signal volume. Adjust the signal volume by pressing this key repeatedly until the desired volume is set (normal / loud / off).
5. Hold the PRA 20 within the plane of the rotating laser beam. The laser beam is indicated by visible and audible signals.

### 7.2 Working in the horizontal plane

1. Set up the tool in a suitable way for the application to be carried out, e.g. on a tripod.
2. Press the on / off button.
3. The auto leveling LED blinks green. Shortly before the tool achieves the correct level, the laser beam switches on and begins to rotate. The auto leveling LED lights constantly.

### 7.3 Working in manual mode

1. Set up the tool in a suitable way for the application to be carried out, e.g. on a tripod.
2. The horizontal plane is no longer monitored when manual mode is selected for the X- and Y-directions.
3. Inclination in the X-direction: Press the X-servo key twice within 2 seconds. The X-direction can then be adjusted manually by way of the X-key. The LED lights red.
4. Inclination in the Y-direction: Press the Y-servo key twice within 2 seconds. The Y-direction can then be adjusted manually by way of the Y-key. The LED lights red.
5. To return to the original mode, switch the tool off and then on again.

#### **-NOTE-**

If the tool has been used immediately beforehand in manual mode (manual adjustment of the X- and/or Y-direction) the settings last used can be retained by pressing one of the inclination / direction keys within 3 seconds after switching the tool on. This must then be confirmed by pressing the inclination / direction key, otherwise the tool returns to the standard operating mode..

## 7.4 Deactivating the inclined plane function

The inclined plane function can be deactivated by pressing a special key combination. The inclination adjustment keys are then no longer active.

The deactivation procedure is started with the tool switched off.

Proceed by pressing the following key combination:

- Press and hold down the Y- and the shock warning keys simultaneously and then press the on /off button.

Subsequently press the Y+ button within 10 seconds (release the other keys before pressing the Y+ key).

The inclined plane function can be reactivated when required. This is done by pressing the same key combination once again.

## 8. Hilti calibration service

We recommend that the tool is checked by the Hilti calibration service at regular intervals in order to verify its reliability in accordance with standards and legal requirements.

Use can be made of the Hilti calibration service at any time, but checking at least once a year is recommended.

The calibration service provides confirmation that the tool is in conformance, on the day it is tested, with the specifications given in the operating instructions.

If deviations from the manufacturer's specification are found, the tool is then re-adjusted. After checking and adjustment, a calibration sticker applied to the tool and a calibration certificate provide written verification that the tool operates in accordance with the manufacturer's specification.

Calibration certificates are always required by companies certified according to ISO 900x.

Your local Hilti center or representative will be pleased to provide further information.

### 8.1 Checking horizontal rotation

Horizontal alignment of the tool in the X- or Y-directions can be checked as follows:

#### 8.1.1 Checking

1. Set up the tool in the horizontal plane at a distance of about 20m (65 ft) from a wall (can also be carried out with the tool set up on a tripod).
2. With the aid of the laser detector, make a mark on the wall.
3. Pivot the tool through 180° about its own axis (check the same laser axis).
4. With the aid of the laser detector, make a second mark on the wall.

If the check has been carried out carefully, the distance between the marks A and B should be less than 2 mm / 0,15 inch (at 20 m/65 ft from the wall).

In the event of a deviation in excess of this, please return the tool to a Hilti Service Center for inspection.

## 9. Care and maintenance

### 9.1 Cleaning and drying

- Blow dust off the lenses.
- Do not touch the glass with your fingers.
- Use only a clean, soft cloth for cleaning. If necessary, slightly moisten the cloths with pure alcohol or a little water.

#### - NOTE -

- Do not use any other liquids as these may damage the plastic parts.
- Observe the temperature limits when storing your equipment. This is particularly important in winter or summer, especially if the equipment is kept inside a vehicle (storage temperatures: -30°C to +60°C / -22°F to +140°F).

### 9.2 Storage

- Remove the tool from its case if it has become wet. Clean and dry the tool, its carrying case and accessories (at max. temperature of 40°C / 108° F). Re-pack the equipment only when it is completely dry.
- Check the accuracy of the equipment before it is used after a long period of storage or transportation.
- Remove the batteries if the tool is to be stored for a long period.

### 9.3 Transportation

Use either the original Hilti cardboard box or packaging of equivalent quality for transporting or shipping your equipment.

#### - NOTE -

Always remove the batteries before shipping the tool.

## 10. Disposal

### -CAUTION-

Improper disposal of the equipment may have serious consequences:

- The burning of plastic components generates toxic fumes which may present a health hazard.
- Batteries may explode if damaged or exposed to very high temperatures and thus cause poisoning, burns, acid burns or environmental pollution.
- Careless disposal may permit unauthorized and improper use of the equipment, possibly leading to serious personal injury, injury to third parties and pollution of the environment.



Most of the materials from which Hilti tools or appliances are manufactured can be recycled. The materials must be properly separated before they can be recycled. In many countries, Hilti has already made arrangements for taking back old tools and appliances for recycling. Ask Hilti customer service or your Hilti representative for further information.



Dispose of batteries in accordance with national regulations. Please help to protect our environment.



Only for EU countries  
Disposal of electric tools together with household waste is not permissible! In observance of European Directive 2002/96/EC on waste electrical and electronic equipment and its implementation in accordance with national law, electric tools that have reached the end of their life must be collected separately and returned to an environmentally compatible recycling facility.

## 11. Manufacturer's warranty – tools

Hilti warrants that the tool supplied is free of defects in material and workmanship. This warranty is valid so long as the tool is operated and handled correctly, cleaned and serviced properly and in accordance with the Hilti Operating Instructions, and the technical system is maintained. This means that only original Hilti consumables, components and spare parts may be used in the tool.

This warranty provides the free-of-charge repair or replacement of defective parts only over the entire lifespan of the tool. Parts requiring repair or replacement as a result of normal wear and tear are not covered by this warranty.

**Additional claims are excluded, unless stringent national rules prohibit such exclusion. In particular, Hilti is not obligated for direct, indirect, incidental or consequential damages, losses or expenses in connection with, or by reason of, the use of, or inability to use the tool for any purpose. Implied warranties of merchantability or fitness for a particular purpose are specifically excluded.**

For repair or replacement, send tool or related parts immediately upon discovery of the defect to the address of the local Hilti marketing organization provided.

This constitutes Hilti's entire obligation with regard to warranty and supersedes all prior or contemporaneous comments and oral or written agreements concerning warranties.

## 12. FCC statement (applicable in US)

### - WARNING -

This equipment has been tested and has been found to comply with the limits for a class B digital device, pursuant to part 15 of the FCC rules.

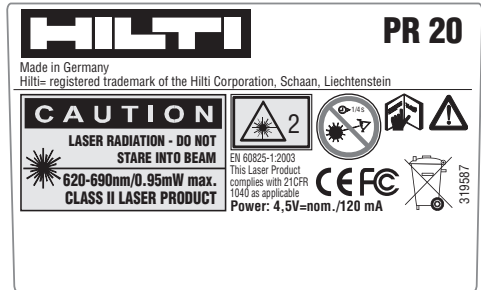
These limits are designed to provide reasonable protection against harmful interference in a residential installation. This equipment generates, uses, and can radiate radio frequency energy and, if not installed and used in accordance with the instructions, may cause harmful interference to radio communications. However, there is no guarantee that interference will not occur in a particular installation.

If this equipment does cause harmful interference to radio or television reception, which can be determined by turning the equipment on and off, the user is encouraged to try to correct the interference by one or more of the following measures:

- Re-orient or re-locate the receiving antenna.
- Increase the separation between the equipment and receiver.
- Consult the dealer or an experienced TV / radio technician for assistance.

Changes or modifications not expressly approved by Hilti could limit the user's right to operate the equipment.

## Product information plate



## 13. EC conformity

Designation: Rotating laser  
 Type: PR 20  
 Year of design: 2003

In conformance with **CE**

We declare, on our own responsibility, that this product complies with the following standards or standardization documents: EN 50081-1 and EN 50082-1 according to the stipulations of the directive 89/336/EEC.

Hilti Corporation

Matthias Gillner  
 Head BU  
 Measuring Systems  
 12/2004

Dr. Heinz-Joachim Schneider  
 Executive Vice President  
 BA Electric  
 Tools & Accessories  
 12/2004

**Avant de mettre l'appareil en marche, lire impérativement son mode d'emploi et bien respecter les consignes.**

**Le présent mode d'emploi doit toujours accompagner l'appareil.**

**Ne pas prêter ou céder l'appareil à un autre utilisateur sans lui fournir le mode d'emploi.**

## Principaux éléments **1**

### Laser rotatif PR 20

- ① Faisceau laser (plan de rotation)
- ② Tête rotative
- ③ Panneau de commande
- ④ Poignée
- ⑤ Compartiment des piles
- ⑥ Semelle avec filetage 5/8"

### Panneau de commande PR 20

- ⑦ Bouton Marche / Arrêt
- ⑧ Bouton Désactivation de l'avertisseur de choc
- ⑨ Touches de servocommande (pour régler l'inclinaison / axe X/Y)
- ⑩ DEL – Mise à niveau automatique
- ⑪ DEL – Avertisseur de choc
- ⑫ DEL – Tension des piles / bloc-accu
- ⑬ DEL – Inclinaison / axe X
- ⑭ DEL – Inclinaison / axe Y

## Sommaire

	Page
1. Consignes générales.....	14
2. Description .....	14
3. Outils et accessoires.....	15
4. Caractéristiques techniques.....	16
5. Consignes de sécurité .....	17
6. Mise en service.....	19
7. Utilisation .....	20
8. Service de calibration Hilti.....	21
9. Nettoyage et entretien.....	22
10. Recyclage .....	22
11. Garantie constructeur des appareils....	23
12. Déclaration FCC .....	24
13. Déclaration de conformité CE .....	24



## 1. Consignes générales

### 1.1 Mot signalant un danger

#### -ATTENTION-

Pour attirer l'attention sur une situation pouvant présenter des dangers susceptibles d'entraîner des blessures corporelles légères et / ou des dégâts matériels.

#### -REMARQUE-

Pour des conseils d'utilisation et autres informations utiles.

### 1.2 Pictogrammes

#### Symboles d'avertissement



Avertissement danger général



Rayon laser  
Ne pas regarder directement dans le faisceau



#### Symboles



Lire le mode d'emploi avant d'utiliser l'appareil



Recycler les déchets

**1** Les nombres renvoient aux illustrations se trouvant sur les pages rabattables. Pour lire le mode d'emploi, rabattre ces pages de manière à voir les illustrations. Dans le présent mode d'emploi, « l'appareil » désigne toujours le laser rotatif PR 20.

### Identification de l'appareil

La désignation et le numéro de série du modèle se trouvent sur la plaque signalétique de l'appareil. Inscrire ces renseignements dans le mode d'emploi et toujours s'y référer pour communiquer avec notre représentant ou agence Hilti.

Type : PR 20

N° de série : \_\_\_\_\_

## 2. Description

### 2.1 Laser rotatif PR 20

Le PR 20 est un laser rotatif muni d'un faisceau laser rotatif.

### 2.2 Caractéristiques

- L'appareil permet à une personne de mettre rapidement à niveau n'importe quelle surface avec une grande précision (toujours utilisé conjointement avec le récepteur laser PRA 20).
- La vitesse de rotation est de 300 tr/min (tours par minute) lorsque l'appareil est à niveau.
- Mise à niveau automatique (à  $\pm 5^\circ$  d'inclinaison).
- Les témoins lumineux (diodes électroluminescentes DEL) indiquent l'état de fonctionnement en cours de l'appareil.
- Fonction intégrée d'avertissement de choc : Si en cours de fonctionnement, l'appareil n'est plus à niveau (secousses / chocs), le mode d'avertissement est activé ; tous les témoins lumineux clignotent (l'appareil ne tourne plus).
- Arrêt automatique : Si l'appareil est en-dehors de la plage de mise à niveau automatique ou est bloqué mécaniquement, le laser ne se met pas en marche et les témoins lumineux clignotent.

- L'appareil peut être posé sur un trépied avec filetage 5/8" ou directement sur un support stable.
- Il est simple à utiliser, solide et relativement léger.

## 2.3 Description du fonctionnement

### 2.3.1 Plan de mise à niveau (mise à niveau automatique)

Après mise en marche de l'appareil, la mise à niveau selon les axes X et Y s'effectue automatiquement grâce à 2 servomoteurs incorporés.

### 2.3.2 Plan incliné suivant un angle quelconque (mise à niveau manuelle)

L'inclinaison peut être réglée à l'aide des touches X et Y en fonction des marquages donnés ou des contours.

### 2.3.3 Dispositif d'arrêt automatique

Lors de la mise à niveau automatique selon un ou deux axes, le servosystème veille à ce que la précision spécifiée soit respectée.

L'appareil s'arrête automatiquement :

- si la mise à niveau s'avère impossible (appareil en-dehors de la plage de mise à niveau ou blocage mécanique)
- si l'appareil n'est plus à niveau (secousses / chocs).

Après l'arrêt automatique de l'appareil, la rotation est coupée et tous les témoins lumineux clignotent.

## Contenu de la boîte de livraison

1 laser rotatif PR 20
1 récepteur laser PRA 20
1 support de récepteur laser PRA 75
1 mode d'emploi PR 20
1 mode d'emploi PRA 20
3 piles (piles D)
2 piles (piles AA)
1 calculateur d'inclinaison PRA 52
1 certificat du fabricant
1 sachet de dessiccant
1 coffret de transport Hilti

## 3. Outil et accessoires

### Accessoires :

Divers trépieds	PA 910, PA 911, PA 921 et PA 931/2
Récepteur laser	PRA 20
Support de récepteur laser	PRA 75
Mires graduées	PA 950/960 et PA 951/961
Chargeur	PUA 80
Bloc-accu	PRA 801
Calculateur d'inclinaison	PRA 52

## 4. Caractéristiques techniques PR 20

### Portée (rayon)

de 2 à 400 m [6 à 1300 pieds] avec récepteur PRA 20

### Précision (à 24 °C / +75 °F)

± 0,5 mm @ 10 m  
[± 0.2" @ 32.8 pieds]

### Classe laser

Classe 2, faisceau visible, 650 nm,  
< 1 mW (IEC825-1 / EN60825 ; FDA 21 CFR 1040)

### Vitesses de rotation [tr/min]

300 (vitesse de travail)

### Plage de niveau automatique

± 5°, affichage à DEL

### Dispositif d'arrêt automatique

Après 1 minute, si l'appareil n'est plus à niveau (sauf si les deux axes sont en mode incliné) :

- la rotation s'arrête
- tous les témoins lumineux clignotent

### Témoins lumineux des modes de fonctionnement

- Témoin de mise à niveau automatique
- Témoin d'usure des piles
- Témoin d'avertissement de choc
- Témoin d'inclinaison / axe X
- Témoin d'inclinaison / axe Y

### Alimentation en courant

3 x piles alcalines D au manganèse ou bloc-accu NiMH (rechargeable à l'aide d'un accessoire PUA 80)

### Autonomie des piles à 20 °C [+68 °F]

Piles alcalines au manganèse : > 80 h  
NiMH : > 60 h

### Température de service

–20 °C à +50 °C  
[–4 °F à +122 °F]

### Température de stockage

–30 °C à +60 °C à sec  
[–22 °F à +140 °F]

### Classe de protection

IP 56 (selon IEC 529)

### Trépied avec filetage

5/8" x 18

### Poids

env. 2,4 kg (5.3 lbs.)  
avec les 3 piles

### Dimensions

186 (L) x 186 (l) x 213 (h) mm  
[7.3" (L) x 7.3" (l) x 0.9" (h) pouces]

## 5. Consignes de sécurité

### 5.1 Consignes de sécurité générales

En plus des consignes de sécurité figurant dans les différentes sections du présent mode d'emploi, il importe de toujours bien respecter les directives suivantes.

### 5.2 Utilisation conforme à l'usage prévu

L'appareil est conçu pour déterminer, reporter ou contrôler des alignements horizontaux et des plans inclinés comme par exemple :

- reporter des repères métriques et repères de hauteur,
- établir des déclivités

Nous vous proposons différents accessoires pour une meilleure utilisation de l'appareil.

### 5.3 Utilisations abusives



- L'appareil et ses accessoires peuvent s'avérer dangereux s'ils sont utilisés de manière incorrecte par du personnel non qualifié ou de manière non conforme à l'usage prévu.
- Pour éviter tout risque de blessure, utiliser uniquement les accessoires et adaptateurs Hilti d'origine.
- Toute manipulation ou modification de l'appareil est interdite.
- Bien respecter les consignes concernant l'utilisation, le nettoyage et l'entretien de l'appareil qui figurent dans ce mode d'emploi.
- Ne pas neutraliser les dispositifs de sécurité ni enlever les plaquettes indicatrices et les plaquettes d'avertissement.
- Tenir l'appareil laser hors de portée des enfants.

- Ne faire réparer l'appareil que par le S.A.V. Hilti. En cas de montage incorrect de l'appareil, il peut se produire un rayonnement laser d'intensité supérieure à celui des appareils de classe 2.
- Prêter attention aux influences de l'environnement de l'espace de travail, ainsi que dans des endroits présentant un danger d'incendie ou d'explosion.

### 5.4 Aménagement correct du poste de travail



- Délimiter le périmètre de mesures. Lors de l'installation de l'appareil, attention à ne pas diriger le faisceau contre vous-même ni contre des tierces personnes.
- Lors de travaux d'alignement sur une échelle, éviter toute mauvaise posture. Veiller à toujours garder un bon appui et à ne pas perdre l'équilibre.
- Toutes mesures effectuées à travers une vitre ou tout autre objet peuvent fausser le résultat de mesure.
- Veiller à installer l'appareil sur un support stable (pour éviter toutes vibrations).
- Utiliser l'appareil uniquement dans les limites d'application définies.

#### 5.4.1 Compatibilité électromagnétique

Bien que l'appareil réponde aux exigences les plus sévères des directives respectives, Hilti ne peut entièrement exclure la possibilité :

- qu'il produise des interférences sur d'autres appareils (par ex. systèmes de navigation pour avions) ou
- qu'un rayonnement très intense produise des interférences sur l'appareil et perturbe son fonctionnement. Dans ces cas-là ou en cas d'autres incertitudes, il est conseillé d'effectuer des mesures de contrôle pour vérifier la précision de l'appareil.

### 5.4.2 Classification du laser

L'appareil est un appareil laser de classe 2 satisfaisant aux exigences des normes IEC825-1 / EN60825-01 et de classe II satisfaisant aux exigences de la norme CFR 21 § 1040 (FDA). Cet appareil peut être utilisé sans autre mesure de précaution. L'œil est normalement protégé par le réflexe de fermeture des paupières lorsque l'utilisateur regarde brièvement, par inadvertance, dans le faisceau laser. Ce réflexe peut toutefois être gêné par la prise de médicaments, d'alcool ou de drogues. Toutefois, il est conseillé, comme pour le soleil, d'éviter de regarder directement dans la source lumineuse. Ne pas diriger le faisceau laser en direction de quelqu'un.

### Plaquettes laser répondant aux normes IEC825 / EN6082-01 :



### Plaquettes laser répondant à la norme américaine CFR 21 § 1040 (FDA) :



This Laser Product complies with 21 CFR 1040 as applicable. (Cet appareil laser est compatible avec la norme 21 CFR 1040 si applicable.)

### 5.5 Consignes de sécurité générales

- Avant toute utilisation, l'appareil doit être contrôlé. Si l'appareil est défectueux, le faire réparer par le Service Clientèle Hilti.
- Après une chute ou tout autre incident mécanique, il est nécessaire de vérifier la précision de l'appareil.

- Lorsque l'appareil est déplacé d'un lieu très froid à un plus chaud ou vice-versa, le laisser atteindre la température ambiante avant de l'utiliser.
- En cas d'utilisation d'adaptateurs, vérifier que l'appareil est toujours bien vissé.
- Pour éviter toute erreur de mesure, toujours bien nettoyer les fenêtres d'émission du faisceau laser.
- Bien que l'appareil soit conçu pour être utilisé dans les conditions de chantier les plus dures, en prendre constamment soin comme de tout autre instrument optique (par ex. jumelles, lunettes, appareil photo).
- Bien que l'appareil soit parfaitement étanche, il est conseillé de l'essuyer avant de le ranger dans son coffret de transport.
- Contrôler l'appareil avant de procéder à des mesures importantes.

### 5.5.1 Dangers électriques

- Les piles doivent être tenues hors de portée des enfants.
- Ne pas surchauffer les piles et ne pas les exposer au feu. Les piles peuvent exploser ou des substances toxiques peuvent être dégagées.
- Ne pas recharger les piles.
- Ne pas souder les piles dans l'appareil.
- Ne pas décharger les piles en provoquant un court-circuit, cela risque d'entraîner une surchauffe et la déformation de celles-ci.
- Ne pas ouvrir les piles et ne pas les soumettre à des contraintes mécaniques excessives.

## 6. Mise en service



### -REMARQUE-

L'appareil doit uniquement être utilisé avec des piles conformes aux normes IEC ou un bloc-accu PRA 801.

### Bloc-accu PRA 801

- A basse température, la capacité du bloc-accu diminue.
- Stocker le bloc-accu à température ambiante.
- Ne jamais exposer le bloc-accu au soleil, sur un dispositif de chauffage ou derrière une vitre.

### Piles

- Ne pas utiliser de piles endommagées.
- Ne pas utiliser de piles neuves avec des piles usagées. Ne pas utiliser de piles de différentes marques ou de types différents.

### 6.1 Mise en marche de l'appareil

Appuyer sur la touche "ON / OFF (MARCHÉ / ARRÊT)".

### -REMARQUE-

Après la mise en marche, l'appareil se met automatiquement à niveau.

### 6.2 Témoins DEL

#### DEL Mise à niveau automatique

Le témoin clignote vite

L'appareil est en phase de mise à niveau.

La DEL est allumée

L'appareil est mis à niveau / fonctionne correctement.

#### DEL Avertissement de choc

Tous les témoins lumineux clignotent

L'appareil a été secoué ou il n'est momentanément plus de niveau.

Le témoin d'avertissement de choc est illuminé en rouge

Lorsque l'avertissement de choc est désactivé, la DEL s'illumine en rouge.

#### DEL Tension des piles / bloc-accu

Le témoin est allumé

Les piles / le bloc-accu sont presque déchargés.

#### DEL Inclinaison / axes

Les témoins des axes X et Y sont éteints

Travail horizontal

Le témoin de l'axe X est éteint et

le témoin de l'axe Y est illuminé en rouge

Mode manuel : L'axe Y peut être orienté manuellement à l'aide des boutons de servocommande. L'axe X est encore en mode automatique.

Le témoin de l'axe X est illuminé en rouge et le témoin de l'axe Y est éteint

Mode manuel : L'axe X peut être orienté manuellement à l'aide des boutons de servocommande. L'axe Y est encore en mode automatique.

Le témoin de l'axe X est illuminé en rouge et le témoin de l'axe Y est illuminé en rouge

Mode manuel : Les axes X et Y peuvent être orientés manuellement à l'aide des boutons de servocommande.

L'avertissement de choc est désactivé.

### 6.3 Mise en place de piles neuves **2**

1. Ouvrir, en tournant, le dispositif de verrouillage du compartiment des piles.
2. Insérer les piles dans le compartiment des piles. Respecter la polarité des piles.
3. Fermer, en tournant, le dispositif de verrouillage du compartiment des piles.

## 7. Utilisation



### 7.1 Mise en marche de l'appareil et travail avec le récepteur 3

1. Le récepteur laser PRA 20 peut être utilisé sur un rayon allant jusqu'à 400 m (1300 pieds). Le fonctionnement du faisceau laser est signalé optiquement et acoustiquement.
2. Monter le récepteur PRA 20 correctement sur la mire télescopique graduée, et mettre en marche à l'aide du bouton "Marche / Arrêt".
3. Sélectionner la sensibilité souhaitée à l'aide du bouton de réglage de la tolérance situé sur la zone d'affichage.
4. Réglage en option :  
Sélectionner le volume sonore souhaité à l'aide du bouton de réglage du signal sonore. A la mise en marche, le volume sonore est sur le réglage standard. A chaque pression sur ce bouton, le volume du signal sonore commute dans l'ordre entre les états normal / fort / arrêt.
5. Maintenir le récepteur PRA 20 dans le faisceau laser rotatif. Le fonctionnement du faisceau laser est signalé optiquement et acoustiquement.

### 7.2 Travail horizontal

1. En fonction de l'application, monter l'appareil par ex. sur un trépied.
2. Appuyer sur la touche "Marche / Arrêt".
3. Le témoin de mise à niveau automatique vert clignote. Juste avant que la mise à niveau ne soit atteinte, le faisceau laser est mis en marche et tourne. Le témoin de mise à niveau automatique est allumé.

### 7.3 Mode manuel

1. En fonction de l'application, monter l'appareil par ex. sur un trépied.
2. Si le mode manuel est sélectionné pour l'axe X et l'axe Y, l'horizontalité n'est plus contrôlée.
3. Inclinaison selon l'axe X. Appuyer 2 fois sur le bouton de servocommande X dans un intervalle de 2 secondes. La mise à niveau selon l'axe X peut être corrigée manuellement à l'aide des boutons de servocommande. Le témoin est illuminé en rouge.
4. Inclinaison selon l'axe Y. Appuyer 2 fois sur le bouton de servocommande Y dans un intervalle de 2 secondes. La mise à niveau selon l'axe Y peut être corrigée manuellement à l'aide des boutons de servocommande. Le témoin est illuminé en rouge.
5. Pour retourner au mode d'origine, l'appareil doit être arrêté puis remis en marche.

#### -REMARQUE-

Si le réglage manuel de la mise à niveau (axe X et / ou Y) a été utilisé en dernier, il suffit d'appuyer sur l'une des touches "Inclinaison / axe" dans l'intervalle de 3 secondes après la mise en marche de l'appareil pour conserver le dernier réglage. Si aucune confirmation n'est faite à l'aide d'une des touches "Inclinaison / axe", l'appareil commute automatiquement en mode standard.

## 7.4 Désactivation de la fonction d'inclinaison

La fonction d'inclinaison peut être désactivée à l'aide d'une combinaison de touches. Cela signifie que les touches de réglage d'inclinaison sont alors désactivées.

La combinaison de touches est utilisée en mode arrêté.

La combinaison de touches suivante doit être utilisée pour désactiver :

- Appuyer simultanément sur la touche Y- et le bouton Désactivation de l'avertissement de choc, puis immédiatement après sur le bouton Marche / Arrêt, et dans un intervalle de 10 secondes, appuyer sur la touche Y+ (avant d'appuyer sur la touche Y+, relâcher la combinaison de touches précédentes).

La fonction d'inclinaison peut être réactivée à tout moment. Pour réactiver la fonction d'inclinaison, réappuyer sur la même la combinaison de touches.

## 8. Service de calibration Hilti

Nous recommandons de confier régulièrement le laser rotatif ainsi que le récepteur au service de calibration, pour pouvoir garantir la fiabilité selon les normes applicables et les réglementations en vigueur.

Le service de calibration Hilti se tient à votre disposition en tout temps ; nous vous recommandons de le faire contrôler au moins une fois pas an.

Le service de calibration Hilti certifie qu'au jour du contrôle, les spécifications de l'appareil vérifié sont conformes aux caractéristiques techniques figurant dans le mode d'emploi.

En cas d'écarts par rapport aux données constructeur, le réglage de l'appareil utilisé est réajusté. Après ajustage et contrôle, une plaquette de calibration est apposée sur l'appareil et un certificat de calibration confirme par écrit, que l'appareil travaille dans les plages décrites par le constructeur.

Les certificats de calibration sont systématiquement requis pour les entreprises qui sont certifiées selon ISO 900X.

Pour plus d'informations, contacter le point de vente Hilti le plus proche.

### 8.1 Contrôle de la rotation horizontale

Pour contrôler l'orientation horizontale de l'appareil selon les axes X ou Y :

#### 8.1.1 Contrôle

1. Poser l'appareil à l'horizontale à 20 m / 65 pieds environ devant un mur (peut également s'effectuer à l'aide d'un trépied).
2. A l'aide du récepteur, marquer un point sur le mur.
3. Tourner l'appareil de 180° sur son axe (contrôle sur le même axe).
4. A l'aide du récepteur, marquer un deuxième point sur le mur.

Si le repérage est précis, la distance entre les marques A – B devrait être inférieure à 2 mm / 0,15 pouces (à 20 m / 65 pieds).

➔ En cas d'écarts importants : Apporter l'appareil au Service Clientèle Hilti.



## 9. Nettoyage et entretien

### 9.1 Nettoyage et séchage

- Si de la poussière s'est déposée sur les lentilles, la souffler pour l'éliminer.
- Ne pas toucher le verre avec les doigts.
- Nettoyer uniquement avec un chiffon propre et doux ; humidifier avec un peu d'eau ou d'alcool pur, si besoin est.

#### -REMARQUE-

- N'utiliser aucun autre liquide qui pourrait attaquer les pièces en plastique.
- Respecter les plages de températures en cas de stockage du matériel, notamment en hiver ou en été, à l'intérieur d'un véhicule. (–30 °C à +60 °C / –22 °F à +140 °F)

### 9.2 Stockage

Si votre appareil a été mouillé, le déballer. Sécher l'appareil, son coffret de transport et les accessoires (température max. 40 °C / 108 °F) et nettoyer le tout. Ne remballer le matériel qu'une fois complètement sec.

Si votre matériel est resté longtemps stocké ou s'il a été transporté sur une longue distance, vérifier sa précision (mesure de contrôle) avant de l'utiliser.

Si l'appareil n'est pas utilisé pendant une période prolongée, retirer les piles.

### 9.3 Transport

Pour transporter ou renvoyer votre matériel, utiliser soit le carton de livraison Hilti, soit tout autre emballage de même qualité.

#### -REMARQUE-

Toujours enlever les piles avant de renvoyer votre appareil.

## 10. Recyclage

#### -ATTENTION-

En cas de recyclage incorrect de votre matériel, les risques suivants peuvent se présenter :

- La combustion de pièces en plastique risque de dégager des fumées et gaz toxiques nocifs pour la santé.
- Les piles abîmées ou fortement échauffées peuvent exploser, causer des empoisonnements ou intoxications, des brûlures (notamment par acides), voire risquent de polluer l'environnement.
- En cas de recyclage sans précautions, des personnes non autorisées risquent d'utiliser le matériel de manière incorrecte voire de se blesser sérieusement, d'infliger de graves blessures à des tierces personnes et de polluer l'environnement.



Les appareils Hilti sont fabriqués pour une grande part en matériaux recyclables dont la réutilisation exige un tri correct. Dans de nombreux pays, Hilti est déjà équipé pour reprendre votre ancien appareil afin d'en recycler les composants. Consulter le Service Clientèle Hilti ou votre conseiller commercial.



Les piles doivent être éliminées conformément aux réglementations nationales en vigueur.

Aidez-nous à préserver l'environnement.



Pour les pays européens uniquement

Ne pas jeter les appareils électriques dans les ordures ménagères! Conformément à la directive européenne 2002/96/EG relative aux déchets d'équipements électriques ou électroniques (DEEE), et à sa transposition dans la législation nationale, les appareils électriques doivent être collectés à part et être soumis à un recyclage respectueux de l'environnement.

## 11. Garantie constructeur des appareils

Hilti garantit l'appareil contre tout vice de matières et de fabrication. Cette garantie s'applique à condition que l'appareil soit utilisé et manipulé, nettoyé et entretenu correctement, en conformité avec le mode d'emploi Hilti, et que l'intégrité technique soit préservée, c'est-à-dire sous réserve de l'utilisation exclusive de consommables, accessoires et pièces de rechange d'origine Hilti.

Cette garantie se limite strictement à la réparation gratuite ou au remplacement gracieux des pièces défectueuses pendant toute la durée de vie de l'appareil. Elle ne couvre pas les pièces soumises à une usure normale.

**Toutes autres revendications sont exclues pour autant que des dispositions légales nationales impératives ne s'y opposent pas. En particulier, Hilti ne saurait être tenu pour responsable de toutes détériorations, pertes ou dépenses directes, indirectes, accidentelles ou consécutives, en rapport avec l'utilisation ou dues à une incapacité à utiliser l'appareil dans quelque but que ce soit. Hilti exclut en particulier les garanties implicites concernant l'utilisation et l'aptitude dans un but bien précis.**

Pour toute réparation ou tout échange, renvoyer l'appareil ou les pièces concernées au réseau de vente Hilti compétent, sans délai, dès constatation du défaut.

La présente garantie couvre toutes les obligations d'Hilti et annule et remplace toutes les déclarations antérieures ou actuelles, de même que tous accords oraux ou écrits concernant des garanties.

## 12. Déclaration FCC (applicable aux Etats-Unis)

### -ATTENTION-

Cet appareil a subi des tests qui ont montré qu'il est conforme aux limites définies pour un instrument numérique de la classe B, conformément à l'alinéa 15 des règlements FCC. Ces limites sont conçues pour assurer une protection suffisante contre toutes interférences nuisibles dans les zones résidentielles. Des appareils de ce type génèrent, utilisent et peuvent donc émettre des radiations haute fréquence. S'ils ne sont pas installés et utilisés conformément aux instructions, ils peuvent causer des interférences nuisibles dans les réceptions de radiodiffusion.

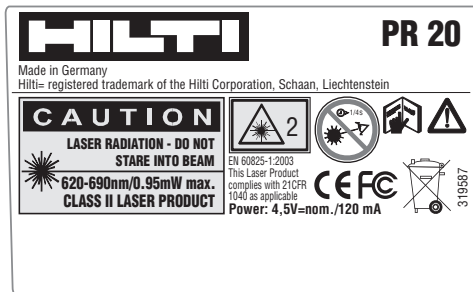
L'absence de telles perturbations ne peut toutefois être garantie dans des installations de type particulier.

Si cet appareil provoque des interférences nuisibles à la réception radio ou télévision, ce qui peut être constaté en l'arrêtant et en le remettant en marche, l'utilisateur est tenu d'éliminer ces perturbations en adoptant l'une ou l'autre des mesures suivantes :

- Réorienter l'antenne de réception ou la déplacer.
- Augmenter la distance entre l'appareil et le récepteur.
- Demander l'aide d'un revendeur ou d'un technicien spécialisé en radio / TV.

Toute modification ou tout changement subi par l'appareil et non expressément approuvé par Hilti peut limiter le droit de l'utilisateur à se servir de l'équipement.

Identification de l'appareil :



## 13. Déclaration de conformité CE

Désignation : Laser rotatif  
 Désignation du modèle : PR 20  
 Année de fabrication : 2003  
 Conforme aux directives **CE**

Nous déclarons sous notre seule et unique responsabilité que ce produit est conforme aux directives et normes suivantes : EN 50081-1 et EN 50082-1 conformément aux dispositions de la directive 89 / 336 / EWG

Hilti Corporation

Matthias Gillner  
 Head BU  
 Measuring Systems  
 12/2004

Dr. Heinz-Joachim Schneider  
 Executive Vice President  
 BA Electric  
 Tools & Accessories  
 12/2004

**Antes de utilizar a ferramenta, por favor leia atentamente o manual de instruções.**

**Conserve o manual de instruções, sempre junto da ferramenta.**

**Entregue a ferramenta a outras pessoas juntamente com o manual de instruções.**

## Componentes 1

### Laser rotativo PR 20

- ① Orifício de saída do laser
- ② Cabeça rotativa
- ③ Painel de controlo
- ④ Punho
- ⑤ Compartimento de bateria
- ⑥ Placa base com rosca de 5/8"

### Painel de controlo PR 20

- ⑦ Botão ON/OFF (liga/desliga)
- ⑧ Botão de aviso de choque ON/OFF (ligado/desligado)
- ⑨ Teclas para regular a inclinação/direcção X/Y
- ⑩ LED de nivelamento automático
- ⑪ LED de aviso de choque
- ⑫ LED da capacidade de bateria
- ⑬ LED de inclinação/direcção X
- ⑭ LED de inclinação/direcção Y

## Índice

	Página
1. Informação geral.....	26
2. Descrição .....	26
3. Acessórios .....	27
4. Características técnicas.....	28
5. Normas de segurança .....	29
6. Antes de iniciar a utilização.....	31
7. Utilização.....	32
8. Serviço de calibração Hilti.....	33
9. Conservação e manutenção .....	34
10. Reciclagem .....	34
11. Garantia do fabricante sobre ferramentas .....	35
12. Declaração FCC .....	36
13. Declaração de conformidade CE .....	36

## 1. Informação geral

### 1.1 Símbolos importantes

#### -CUIDADO-

Indica uma situação potencialmente perigosa que pode originar ferimentos graves e/ou danos na ferramenta ou outros materiais.

#### -NOTA-

Indica uma instrução ou outra informação útil.

### 1.2 Pictogramas

#### Sinais de aviso



Perigo geral



Laser classe 2  
Não olhe fixamente  
para o raio laser



#### Símbolos



Antes de utilizar a  
ferramenta, leia o  
manual de instruções



Recicle os desperdícios

**1** Estes números referem-se a figuras. Estas encontram-se nas contracapas desdobráveis. Ao ler as instruções, mantenha as contracapas abertas. Nestas instruções a palavra «a ferramenta» refere-se sempre ao laser rotativo PR 20.

### Localização da informação na ferramenta

A designação e o número de série da ferramenta encontram-se na placa de características. Anote estas informações no seu manual de instruções e faça referência a estes elementos sempre que necessitar de qualquer peça/acessório para a ferramenta.

Tipo: PR 20

Nº de série: \_\_\_\_\_

## 2. Descrição

### 2.1 Laser rotativo PR 20

A PR 20 é um laser rotativo com um raio laser giratório.

### 2.2 Características

- O laser rotativo PR 20, permite nivelar qualquer plano rapidamente e com grande precisão (sempre em conjunto com o receptor laser PRA 20).
- A velocidade de rotação do PR 20 é de 300 rpm (rotações por minuto) com a ferramenta nivelada.
- Nivelamento automático (dentro duma inclinação de  $\pm 5^\circ$ ).
- O LED indica o estado da sua utilização.
- Função integrada de aviso de choque: Caso a ferramenta seja desnivelada durante a operação (vibração/impacto), muda para o modo de aviso de choque; todos os LED's estão a piscar (a ferramenta deixa de girar).
- Desligar automático: O raio laser não liga e o LED de nivelamento cintila quando o aparelho é montado fora da sua área de nivelamento automático ou quando a rotação bloqueou mecanicamente.

- A ferramenta pode ser montada num tripé com rosca de 5/8" ou posicionada directamente num suporte de superfície fixa.
- De fácil operação, construção robusta, peso razoável.

## 2.3 Descrição das funções

### 2.3.1 Plano horizontal (alinhamento automático)

Depois de ligar a ferramenta o nivelamento é automático graças a 2 servomotores para regular as direcções X e Y.

### 2.3.2 Plano inclinado (ajustamento manual para o declive desejado)

Premindo as teclas X e Y, pode regular-se a inclinação de acordo com as marcas e contornos dados.

### 2.3.3 Desligar automático

Durante o nivelamento de uma, ou das duas direcções, o sistema servo verifica a conformidade com a precisão especificada. A ferramenta desliga-se automaticamente quando:

- é impossível conseguir o nivelamento (a ferramenta é montada fora da sua área de nivelamento, ou a rotação bloqueou mecanicamente)
- a ferramenta for desnivelada (vibração/impacto).

Depois do desligar automático, a rotação desliga e todos os LED's estão a piscar.

### Incluído no fornecimento

1 Laser rotativo PR 20
1 Receptor laser PRA 20
1 Porta-receptor laser PRA 75
1 Manual de Instruções PR 20
1 Manual de Instruções PRA 20
3 Pilhas (tipo D)
2 Pilhas (tipo AA)
1 Calculadora de inclinação PRA 52
1 Certificado do fabricante
1 Dessecante
1 Caixa de ferramentas Hilti

## 3. Instrumentos e acessórios

### Acessórios:

Diversos tripés	PA 910, PA 921 e PA 931
Receptor laser	PRA 20
Porta-receptor laser	PRA 75
Escalas telescópicas	PA 950/960 e PA 951/961
Carregador	PUA 80
Conjunto de pilhas recarregáveis	PRA 801
Calculadora de inclinação	PRA 52

## 4. Características técnicas PR 20

### Amplitude de medição (diâmetro)

2 até 400 m [6 até 1300 pés] com receptor PRA 20

### Precisão (a 24 °C/+75 °F)

± 0,5 mm @ 10 m  
[± 0.2" @ 32.8 pés]

### Classe laser,

classe 2, visível, 650 nm, < 1 mW  
(IEC825-1/EN60825; FDA 21  
CFR 1040)

### Velocidade de rotação [rpm]

300 (velocidade de serviço)

### Capacidade de auto-nivelamento

± 5°, indicador do LED

### Sistema Desligar Automático

Quando a ferramenta for desnivelada (após 1 minuto), salvo quando os dois eixos estiverem inclinados, ocorre:

- Desligar da rotação
- Todos os LED's estão a piscar

### Indicador do estado de funcionamento

- LED de nivelamento automático
- LED do estado da bateria
- LED de aviso de choque
- LED inclinação/direcção X
- LED inclinação/direcção Y

### Alimentação

3 pilhas alcalinas tipo D (standard), ou 4 pilhas recarregáveis tipo NiCd em conjunto com o acessório PUA 80)

### Longevidade da pilha a 20 °C [+68 °F]

Alcanina: > 80 h  
NiMH: > 60 h

### Temperatura de funcionamento

–20 °C até +50 °C  
[–4 °F até +122 °F]

### Temperatura de armazenamento

–30 °C até +60 °C seco  
[–22 °F até +140 °F]

### Categoria de protecção

IP 56 (conforme IEC 529)

### Rosca dos tripés

5/8" x 18

### Peso

aprox. 2,4 kg (5.3 lbs.)  
incluindo as 3 pilhas

### Dimensões

186 (comprimento) x 186 (largura) x  
213 (altura) mm  
[7.3" (comprimento) x 7.3" (largura) x  
0.9" (altura) polegadas]

## 5. Normas de segurança

### 5.1 Informação básica no que se refere às normas de segurança

Além das regras especificamente mencionadas em cada capítulo deste manual de instruções, deve observar sempre os pontos a seguir indicados.

### 5.2 Utilização correcta

A ferramenta destina-se à determinação, transferência e verificação de alinhamentos em planos horizontais e inclinados, como por ex.:

- para transferir planos de referência e de altura
- para estabelecer inclinações

A Hilti oferece diversos acessórios que permitem a utilização óptima da ferramenta.

### 5.3 Utilização incorrecta



- A ferramenta, bem como qualquer equipamento auxiliar, podem representar perigo se usados incorrectamente por pessoas não qualificadas ou se usados para fins diferentes daqueles para os quais foram concebidos.
- Utilize exclusivamente acessórios originais, ou dispositivos auxiliares indicados no manual de instruções. A utilização de acessórios e de dispositivos auxiliares diferentes dos indicados no manual de instruções pode ocasionar ferimentos pessoais.
- Não é permitida a modificação ou manipulação da ferramenta.
- Leia as instruções contidas neste manual sobre utilização, conservação e manutenção da ferramenta.
- Não inutilize os dispositivos de segurança nem retire qualquer informação ou aviso.

- Mantenha a ferramenta afastada do alcance das crianças.
- Caso necessite de reparação, faça-o somente num centro de assistência técnica Hilti. Uma abertura incorrecta da ferramenta pode originar a emissão excessiva de radiação laser classe 2.
- Considere as influências ambientais. Não utilize a ferramenta em locais húmidos ou onde exista risco de explosão.

### 5.4 Organização do local de trabalho



- Demarque a área de medição. Tome cuidado para não dirigir o raio na sua direcção ou na direcção de outras pessoas quando estiver a preparar o laser.
- Evite posições de trabalho incorrectas quando estiver a trabalhar em cima de escadas ou andaimes. Certifique-se de que se encontra em posição segura e mantenha o equilíbrio.
- Medidas tiradas através de vidros podem ser inexactas.
- Certifique-se de que a ferramenta é montada numa superfície plana/regular (não sujeita a vibrações).
- Não exceda os limites definidos para esta ferramenta.

#### 5.4.1 Compatibilidade electromagnética

Compatibilidade electromagnética significa que a ferramenta está de acordo com as directivas/regulamentações standard neste domínio. No entanto, a Hilti não pode excluir totalmente as seguintes possibilidades:

- Interferência com outros equipamentos (por exemplo equipamento de navegação aérea)
- Mau funcionamento devido a interferências causadas por radiação electromagnética muito intensa. Nestas circunstâncias certifique-se sempre da plausibilidade dos resultados.



### 5.4.2 Classificação laser

A ferramenta corresponde a um laser classe 2, com base nas normas IEC 825-1/EN 60825 e FDA 21 CFR. Esta ferramenta pode ser utilizada sem que seja necessário o recurso a outras medidas de protecção especiais. O reflexo de fechar a pálpebra protege os olhos do raio laser, caso alguém olhe inadvertidamente para este. No entanto, esta atitude reflexa pode ser prejudicada pelo uso de medicamentos, álcool ou drogas. Tal como acontece com o sol, deve evitar-se olhar directamente para a fonte de luz. Não direcione o raio laser para as pessoas.

#### Avisos/símbolos aplicados ao laser, com base nas normas IEC 825/EN 60825-01:



#### Avisos/símbolos aplicados ao laser, com base na norma FAD 21CFR § 1040, aplicável nos Estados Unidos da América:



This Laser Product complies with 21 CFR 1040 as applicable. (Este produto está em conformidade com a norma 21 CFR 1040.)

### 5.5 Medidas de segurança gerais

- Verifique se existe alguma avaria antes de utilizar a ferramenta. Se constatar danos, a ferramenta deverá ser reparada num Centro de Assistência Técnica Hilti.
- Se a ferramenta sofreu uma queda ou foi submetida a qualquer outra força mecânica, deverá verificar a sua precisão.

- Quando existem consideráveis diferenças de temperatura, permita que a ferramenta se adapte à temperatura ambiente antes de iniciar a sua utilização.
- Quando utilizar adaptadores, certifique-se de que a ferramenta está completamente fixa.
- Para evitar medidas inexactas mantenha sempre o visor de saída do laser limpo.
- Embora a ferramenta tenha sido concebida para trabalhar sob árduas condições nas obras, esta deve, à semelhança do que acontece com qualquer outro equipamento ocular (como por exemplo binóculos) ser manuseada com cuidado.
- Embora na sua concepção se tenha prevenido a entrada de humidade, a ferramenta deve ser limpa antes de ser guardada na mala de transporte.
- Verifique a ferramenta antes de efectuar medições importantes.

### 5.5.1 Perigos eléctricos

- Mantenha as pilhas afastadas do alcance das crianças.
- Não exponha as pilhas a temperaturas excessivas e ao fogo, poderiam explodir ou libertar substâncias tóxicas.
- Não tente recarregar pilhas não recarregáveis.
- Não solde as pilhas à ferramenta.
- Não descarregue as pilhas por curto-circuito. Poderiam sofrer sobre-aquecimento provocando a sua dilatação.
- Não abra as pilhas. Não sujeite as pilhas a demasiado esforço mecânico.

## 6. Antes de iniciar a utilização



### -NOTA-

A ferramenta pode ser activada apenas com pilhas produzidas cf. IEC, ou com o conjunto de pilhas PRA 801.

### Conjunto de pilhas recarregáveis PRA 801

- A performance da pilha diminui a baixas temperaturas.
- As pilhas devem ser armazenadas à temperatura ambiente.
- Nunca armazene as pilhas em locais em que estas possam estar sujeitas a exposição solar, radiadores ou por trás de um vidro.

### Pilhas

- Não utilize pilhas danificadas.
- Não misture pilhas novas com pilhas usadas. Não misture pilhas de fabricantes diferentes ou de diferentes tipos.

### 6.1 Ligar a ferramenta

Pressione o botão "ON/OFF (LIGAR/ DESLIGAR)"

### -NOTA-

A ferramenta inicia o nivelamento automático depois de ter sido ligada.

### 6.2 Indicadores LED

#### LED Auto-Nivelamento

O LED está a piscar rapidamente.

A ferramenta nivela-se automaticamente.

O LED está ligado.

A ferramenta está nivelada/está a funcionar correctamente.

#### LED Aviso de choque

Todos os LED's estão a piscar.

A ferramenta sofreu um embate, ou está fora do nível momentaneamente.

O LED do aviso de choque acende na cor vermelha.

Depois de desactivar o aviso de choque, o LED está na cor vermelha.

#### LED da capacidade da bateria

O LED está ligado.

A bateria está quase vazia.

#### LED Inclinação

Os LED's X e Y estão apagados.

Trabalhos horizontais

O LED X está apagado, e

o LED Y está aceso na cor vermelha

Trabalho manual:

Mediante as teclas servo, a direcção Y pode ser alinhada manualmente.

X ainda continua no modo nivelado.

O LED X acende na cor vermelha, e

o LED Y está apagado.

Trabalho manual:

Mediante as teclas servo, a direcção X pode ser alinhada manualmente.

Y ainda continua no modo nivelado.

O LED X acende na cor vermelha, e

o LED Y acende na cor vermelha.

Trabalho manual:

Mediante as teclas servo, as direcções X e Y podem ser alinhadas manualmente. O aviso de choque está desactivado.

### 6.3 Inserir pilhas novas

1. Abra o compartimento da bateria, rodando a alavanca de fechar e abrir.
2. Coloque as pilhas no compartimento. Preste atenção à polaridade das pilhas.
3. Feche o compartimento da bateria rodando a alavanca para a posição de fecho.

## 7. Utilização



### 7.1 Ligar a ferramenta e trabalhar com o receptor

1. O receptor laser PRA 20 pode ser utilizado para diâmetros até 400 m (1300 pés). O raio laser é indicado por via óptica e por via acústica.
2. Montar o receptor PRA 20 devidamente na escala telescópica, ou de medição. Ligá-lo pressionando a tecla "Ligar/desligar".
3. Escolher a sensibilidade desejada pressionando a tecla para o ajuste da faixa de indicação do nível laser.
4. Ajuste opcional:  
Escolher o volume de som desejado pressionando a tecla para o ajuste do sinal acústico. Ao ligar a ferramenta, fica definido o volume standard. Ajuste o volume do sinal acústico pressionando a tecla repetidamente até estar definido o volume desejado (normal/alto/desligado).
5. Segurar o receptor PRA 20 no raio laser rotativo. A indicação do raio laser ocorre por via óptica e por via acústica.

### 7.2 Trabalhar no sentido horizontal

1. Coloque a ferramenta de acordo com a aplicação desejada, por ex. num tripé.
2. Pressione a tecla "Ligar/desligar"
3. O LED do auto-nivelamento está a piscar na cor verde. Instantes antes de atingir o nivelamento, o raio laser liga e entra em rotação. O LED do auto-nivelamento está ligado.

### 7.3 Trabalhar no modo manual

1. Coloque a ferramenta de acordo com a aplicação desejada, por ex. num tripé.
2. Se for escolhido o modo manual para as direcções X e Y, a posição horizontal deixa de ser controlada.
3. Inclinação da direcção X:  
Pressione as teclas servo X duas vezes dentro de 2 segundos. A direcção X pode ser alinhada manualmente com as teclas servo. O LED acende na cor vermelha.
4. Inclinação da direcção Y:  
Premer as teclas servo Y duas vezes dentro de 2 segundos. A direcção Y pode ser alinhada manualmente com as teclas servo. O LED acende na cor vermelha.
5. Para voltar ao modo inicial, deve desligar a ferramenta e depois voltar a ligar.

#### **-NOTA-**

Se a última utilização da ferramenta foi com o ajuste manual da direcção, pressione uma das teclas "inclinação/direcção" dentro de 3 segundos após ligar a ferramenta para reter o último ajuste. Se não houver uma confirmação ao pressionar a tecla "Inclinação/direcção", a ferramenta automaticamente volta ao modo standard.

### 7.4 Desligar a função de inclinação

Ao pressionar uma combinação de teclas pode ser desactivada a função de inclinação. As teclas de inclinação deixam de estar operacionais.

O processo de desactivação é iniciado no modo desligado.

Para desligar a função de inclinação use a seguinte combinação de teclas.

- Pressione e segure simultaneamente a tecla Y-/aviso de choque, bem como, logo a seguir, o botão ligar/desligar. Depois de pressionar, dentro de 10 segundos, a tecla Y+ (antes de pressionar a tecla Y+, soltar as teclas anteriores).

A desactivação pode ser anulada. A função de inclinação é activada pressionando novamente a mesma combinação de teclas.

## 8. Serviço de calibração Hilti

Recomendamos que o laser rotativo e os dispositivos de recepção sejam testados periodicamente através do serviço de calibração Hilti, de forma a garantir a sua precisão segundo as normas e de acordo com as exigências legais.

Recomendamos a verificação da ferramenta pelo menos uma vez por ano.

O serviço de calibração Hilti confirma se no dia do teste as especificações da ferramenta examinada coincidem com as características técnicas que constam do manual de instruções.

Se se verificarem desvios relativamente aos dados do fabricante, a ferramenta será novamente ajustada. Posteriormente é colada uma etiqueta de calibração na ferramenta, confirmando-se através de um certificado de calibração que a mesma funciona de acordo com as indicações do fabricante.

Os certificados de calibração são exigidos às empresas homologadas conforme ISO 900X.

Para mais informações contacte o centro Hilti mais próximo.

### 8.1 Verificar a rotação horizontal

Verificar o alinhamento horizontal da ferramenta na direcção X ou na direcção Y:

#### 8.1.1 Verificação 4

1. Montar a ferramenta horizontalmente, aprox. 20 m (65 pés) distante duma parede (pode ser utilizado um tripé).
2. Marcar um ponto na parede com a ajuda do receptor.
3. Girar a ferramenta no próprio eixo, por 180° (usar o mesmo eixo).
4. Marcar o segundo ponto na parede com a ajuda do receptor.

Se o procedimento foi cuidadoso, a distância entre as marcas A–B deve ser inferior a 2 mm / 0,15 polegadas (a 20 m / 65 pés).

➔ Se o desvio for superior, deve levar a ferramenta a um Centro de Assistência técnica para uma revisão.

## 9. Conservação e manutenção

### 9.1 Limpeza

- Sobre o pó das lentes.
- Não toque no vidro com os dedos.
- Limpe a ferramenta com um pano seco. Se necessário humedecça ligeiramente o pano com um pouco de álcool puro ou água.

#### -NOTA-

- Não utilize qualquer outro líquido que possa danificar os componentes plásticos.
- Tenha em atenção a temperatura a que a ferramenta está exposta, especialmente no Inverno/Verão ou se esta estiver dentro de um veículo (temperaturas de armazenagem: (-30 °C até +60 °C/-22 °F até +140 °F).

### 9.2 Armazenagem

Retire a ferramenta da mala se verificar que esta está molhada. A ferramenta, a sua mala de transporte e os acessórios devem ser limpos e secos (máx. 40 °C/140 °F). Coloque novamente o equipamento dentro da mala, apenas se esta estiver completamente seca.

Verifique a precisão do equipamento antes de o utilizar, após um longo período de armazenagem ou transporte.

Remova as pilhas se a ferramenta não for usada durante um longo espaço de tempo.

### 9.3 Transporte

Use a mala Hilti (ou similar) para transportar a ferramenta.

#### -NOTA-

Remova as pilhas sempre que for necessário transportar a ferramenta.

## 10. Reciclagem

### -CUIDADO-

A reciclagem incorrecta do equipamento pode originar o seguinte:

- A combustão de componentes plásticos pode gerar fumos tóxicos que representam um perigo para a saúde.

As pilhas podem explodir, causando envenenamento, queimaduras, queimaduras por ácido cáustico e poluição ambiental se danificadas ou expostas a temperaturas excessivamente altas.

- Uma reciclagem descuidada permite que pessoas não autorizadas façam uso indevido do equipamento, podendo causar ferimentos nos próprios ou em terceiros, bem como prejuízos ambientais.



As ferramentas Hilti são, em grande parte, fabricadas com materiais recicláveis. Um pré-requisito para a reciclagem é, que esses materiais sejam devidamente separados. A Hilti já iniciou em vários países a recolha da sua ferramenta usada para fins de reaproveitamento. Para mais informações dirija-se ao centro de vendas Hilti local ou ao vendedor.



A reciclagem das pilhas deve ser feita de acordo com os regulamentos nacionais. Ajude a preservar o nosso meio ambiente.



Apenas para países da UE  
 Não deite ferramentas eléctricas no lixo doméstico!  
 De acordo com a directiva europeia 2002/96/CE sobre ferramentas eléctricas e electrónicas usadas e a transposição para as leis nacionais, as ferramentas eléctricas usadas devem ser recolhidas em separado e encaminhadas a uma instalação de reciclagem dos materiais ecológica.

## 11. Garantia do fabricante sobre ferramentas

A Hilti garante que a ferramenta fornecida está isenta de quaisquer defeitos de material e de fabrico. Esta garantia é válida desde que a ferramenta seja utilizada e manuseada, limpa e revista de forma adequada e de acordo com o manual de instruções Hilti e desde que o sistema técnico seja mantido, isto é, sob reserva da utilização exclusiva na ferramenta de consumíveis, componentes e peças originais Hilti.

A garantia limita-se rigorosamente à reparação gratuita ou substituição das peças com defeito de fabrico durante todo o tempo de vida útil da ferramenta. A garantia não cobre peças sujeitas a um desgaste normal de uso.

**Estão excluídas desta garantia quaisquer outras situações susceptíveis de reclamação, salvo legislação nacional aplicável em contrário. Em caso algum será a Hilti responsável por danos indirectos, directos, acidentais ou pelas consequências daí resultantes, perdas ou despesas em relação ou devidas à utilização ou incapacidade de utilização da ferramenta, seja qual for a finalidade. A Hilti exclui em particular as garantias implícitas respeitantes à utilização ou aptidão para uma finalidade particular.**

Para toda a reparação ou substituição, enviar a ferramenta ou as peças para o seu centro de vendas Hilti, imediatamente após detecção do defeito.

Estas são todas e as únicas obrigações da Hilti no que se refere à garantia, as quais anulam todas as declarações, acordos orais ou escritos anteriores ou contemporâneos referentes à garantia.

## 12. Declaração FCC (aplicável nos EUA)

### -CUIDADO-

Este equipamento foi testado e declarado dentro dos limites da Classe II dos equipamentos digitais e conforme o estipulado no artigo 15 das normas FCC. Estes limites correspondem a um nível de protecção razoável contra interferências nocivas em instalações residenciais. Este equipamento gera, usa e pode irradiar energia por radio frequência se não for instalado e utilizado segundo estas instruções e pode causar interferências nocivas nas comunicações rádio.

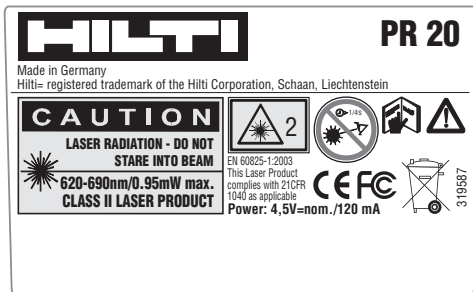
No entanto, não é absolutamente garantido que não ocorram numa instalação em particular.

Caso este equipamento provoque interferências no rádio e na televisão, o que poderá ser detectado ao ligar e desligar estes aparelhos, a solução será tentar corrigir essa interferência da seguinte forma:

- Re-orientar ou recolocar a antena receptora
- Aumentar a distância entre o equipamento e o aparelho receptor
- Consultar um técnico especialista

Alterações ou modificações ao equipamento que não sejam expressamente aprovadas pela Hilti podem limitar a capacidade do utilizador em operar esta ferramenta.

Identificação do produto:



## 13. Declaração de conformidade CE

Designação: Laser rotativo  
 Tipo: PR 20  
 Ano de fabrico: 2003  
 CE -conforme

Declaramos sob nossa exclusiva responsabilidade que este produto cumpre as seguintes normas ou documentos normativos:

EN 50081-1 e EN 50082-1, de acordo com a directiva 89/336/EWG.

Hilti Corporation

Matthias Gillner  
 Head BU  
 Measuring Systems  
 12/2004

Dr. Heinz-Joachim Schneider  
 Executive Vice President  
 BA Electric  
 Tools & Accessories  
 12/2004

**Lea detenidamente el manual de instrucciones antes de la puesta en servicio de la herramienta.**

**Conserve siempre este manual de instrucciones cerca de la herramienta.**

**No entregue nunca la herramienta a otras personas sin adjuntar el manual de instrucciones.**

## Componentes de la herramienta **1**

### Láser rotatorio PR 20

- ① Rayo láser (superficie de rotación)
- ② Cabezal rotatorio
- ③ Panel de control
- ④ Empuñadura
- ⑤ Compartimento para pilas
- ⑥ Placa base con rosca de 5/8"

### Panel de control PR 20

- ⑦ Tecla de conexión/desconexión
- ⑧ Tecla de desactivación de advertencia de choque
- ⑨ Servoteclas (para ajuste de la inclinación/dirección X/Y)
- ⑩ LED – Nivelación automática
- ⑪ LED – Desactivación de advertencia de choque
- ⑫ LED – Pila
- ⑬ LED – Inclinación/dirección X
- ⑭ LED – Inclinación/dirección Y

## Índice

	Página
1. Indicaciones generales.....	38
2. Descripción.....	38
3. Útiles y accesorios.....	39
4. Datos técnicos.....	40
5. Indicaciones de seguridad.....	41
6. Puesta en servicio.....	43
7. Manejo.....	44
8. Servicio de calibrado de Hilti.....	45
9. Cuidado y mantenimiento.....	46
10. Reciclaje.....	46
11. Garantía del fabricante de las herramientas.....	47
12. Indicación FFC.....	48
13. Declaración de conformidad CE.....	48



## 1. Indicaciones generales

### 1.1 Términos utilizadas para indicar peligro

#### -PRECAUCIÓN-

Término utilizado para una posible situación peligrosa que podría ocasionar lesiones o daños materiales leves.

#### -INDICACIÓN-

Término utilizado para indicaciones de uso y otras informaciones útiles.

### 1.2 Pictogramas

#### Símbolos de advertencia



Advertencia de peligro en general



Radiación láser  
No mirar al haz



#### Símbolos



Antes de usar el aparato léase el manual de instrucciones



Reciclar los materiales usados

**1** Los números hacen referencia a las ilustraciones del texto que puede encontrar en las páginas desplegadas correspondientes. Manténgalas desplegadas mientras estudia el manual de instrucciones. En el texto de este manual de instrucciones, el término "la herramienta" siempre hace referencia al láser giratorio PR 20.

### Ubicación de los datos identificativos de la herramienta.

La denominación del modelo y la identificación de serie se indican en la placa de identificación de su herramienta. Traslade estos datos al manual de instrucciones y menciónelos siempre que se realice alguna consulta a nuestros representantes o al departamento de servicio técnico.

Modelo: PR 20

N.º de serie: \_\_\_\_\_

## 2. Descripción

### 2.1 Láser rotatorio PR 20

El PR 20 es un aparato que emite un rayo láser rotatorio.

### 2.2 Características

- Gracias a esta herramienta una sola persona puede nivelar cualquier superficie con rapidez y gran precisión (ha de utilizarse siempre junto al receptor de láser PRA 20).
- La velocidad de rotación asciende a 300 rpm (revoluciones por minuto), cuando la herramienta está nivelada.
- Nivelación automática (con una inclinación de  $\pm 5^\circ$ ).
- Los LED indican el estado de servicio correspondiente.
- Función de advertencia de choque integrada: si durante el funcionamiento la herramienta se sale del nivel (sacudida/ impacto), conmutará al modo de advertencia; todos los LED parpadean (la herramienta deja de rotar).
- Desconexión automática: si la herramienta está situada fuera de la zona de nivelación o está bloqueada mecánicamente, el láser no se conecta y los LED parpadean.

- La herramienta puede montarse sobre un trípode con rosca de 5/8" o directamente sobre una base estable.
- De fácil manejo, diseño robusto, peso moderado.

## 2.3 Descripción del funcionamiento

### 2.3.1 Superficie nivelada (alineación automática)

La alineación se realiza automáticamente tras la conexión de la herramienta y mediante 2 servomotores instalados para dirección X e Y.

### 2.3.2 Superficie inclinada a discreción (alineación libre)

La inclinación puede ajustarse accionando las teclas X e Y en función de las marcas o contornos especificados.

### 2.3.3 Desconexión automática

Durante la nivelación automática de una o ambas direcciones, el servosistema comprueba que se mantenga la precisión especificada.

Se produce la desconexión:

- si no se logra la nivelación (la herramienta se encuentra fuera de la zona de nivelación o se produce un bloqueo mecánico)
- si la herramienta se sale del nivel (sacudida/impacto).

Una vez que la desconexión se lleve a cabo sin problemas, la rotación se detiene y todos los LED parpadean.

## Suministro

1 Láser rotatorio PR 20
1 Receptor de láser PRA 20
1 Soporte del receptor de láser PRA 75
1 Manual de instrucciones PR 20
1 Manual de instrucciones PRA 20
3 Pilas (tipo D)
2 Pilas (tipo AA)
1 Calculador de inclinación PRA 52
1 Certificado del fabricante
1 Agente secante
1 Maletín de transporte Hilti

## 3. Útiles y accesorios

### Accesorios:

Trípodes diversos	PA 911, PA 921 y PA 931
Receptor de láser	PRA 20
Soporte del receptor de láser	PRA 75
Reglas de nivelación	PA 950 y PA 951
Cargador	PUA 80
Paquete de batería	PRA 801
Calculador de inclinación	PRA 52

## 4. Datos técnicos PR 20

### Alcance (diámetro)

2 a 400 m [6 to 1300 ft.] con receptor PRA 20

### Precisión (a 24 °C/+75 °F)

± 0,5 mm @ 10 m [± 0.2" @ 32.8 ft.]

### Tipo de láser

tipo 2, visible, 650 nm, < 1 mW  
(IEC825-1/EN60825; FDA 21  
CFR 1040)

### Velocidades de rotación [UpM]

300 (velocidad de trabajo)

### Margen de autonivelación

± 5°, indicador LED

### Desconexión automática

Se produce si la herramienta se sale del nivel (tras 1 minuto) (excepto cuando ambos ejes están inclinados):

- Desconexión de la rotación
- Parpadean todos los LED

### Indicaciones de estado de servicio

- LED de autonivelación
- LED de estado de las pilas
- LED de advertencia de choque
- LED de inclinación/dirección X
- LED de inclinación/dirección Y

### Alimentación de corriente

3 x pilas manganeso-alcálinas tamaño D o bien paquete de batería NiMH (recargable, en conexión con el accesorio PUA 80)

### Tiempo de servicio a 20 °C [+68 °F]

manganeso-alcálinas: > 80 h  
NiMH: > 60 h

### Temperatura de servicio

–20 °C a +50 °C  
[–4 °F a +122 °F]

### Temperatura de almacenamiento

–30 °C a +60 °C en seco  
[–22 °F a +140 °F]

### Tipo de protección

IP 56 (según IEC 529)

### Rosca del trípode

5/8" x 18

### Peso

2,4 kg aprox. (5.3 lbs.) incluidas las 3 pilas

### Dimensiones

186 (largo) x 186 (ancho) x  
213 (alto) mm  
[7,3" (largo) x 7,3" (ancho) x  
0,9" (alto) pulgadas]

## 5. Indicaciones de seguridad

### 5.1 Observaciones básicas de seguridad

Además de las indicaciones técnicas de seguridad en cada uno de los capítulos de este manual de instrucciones, se deberán respetar de forma estricta las siguientes disposiciones.

### 5.2 Uso conforme a lo prescrito

La herramienta ha sido diseñada para determinar y transferir/comprobar trazados elevados horizontales y superficies inclinadas, como p. ej.:

- Transferir trazados métricos y de altura
- Transferir inclinaciones

Tenemos una amplia gama de accesorios para aplicar de forma óptima la herramienta.

### 5.3 Aplicación inadecuada



- La herramienta y sus dispositivos auxiliares pueden conllevar riesgos si son manejados de forma inadecuada por parte de personal no cualificado o si se utilizan para usos diferentes a los que están destinados.
- Para evitar lesiones, utilizar exclusivamente accesorios y complementos originales Hilti.
- No está permitido efectuar manipulaciones o modificaciones en la herramienta.
- Observe las indicaciones sobre el funcionamiento, cuidado y mantenimiento contenidas en el manual de instrucciones.
- No anule los dispositivos de seguridad ni quite las placas indicativas o de advertencia.
- Mantenga a los niños alejados de los láseres.

- Las reparaciones sólo las podrán llevar a cabo personal de servicio técnico de Hilti. Si el atornillado de la herramienta no se realiza de la forma especificada, pueden generarse rayos láser que superen la clase 2.
- Observe las condiciones ambientales. No utilice la herramienta en lugares donde exista peligro de incendio o explosión.

### 5.4 Organización segura del lugar de trabajo



- Fije el lugar del puesto de medición y observe con precisión a la hora de montar la herramienta que el haz no esté dirigido a otras personas o a usted mismo.
- Evite posturas extrañas cuando se realicen trabajos de alineado sobre una escalera de mano. Procure que la postura sea estable y manténgase siempre en equilibrio.
- Las mediciones a través de lunas de cristal u otros objetos pueden falsear los resultados de la medición.
- Procure que la herramienta esté montada sobre una base estable (sin vibraciones).
- Utilice la herramienta sólo dentro de los límites de aplicación establecidos.

#### 5.4.1 Compatibilidad electromagnética

Aunque la herramienta cumple con las estrictas exigencias de las directrices pertinentes, Hilti no puede excluir la posibilidad de que la herramienta:

- perturbe el funcionamiento de otras herramientas (p. ej. dispositivos de navegación de aviones) o bien
- se vea afectada por una radiación fuerte, lo que conllevaría errores de funcionamiento. En estos casos o en caso de dudas es preciso realizar mediciones de control.

### 5.4.2 Clasificación de láser

La herramienta corresponde a la clase de láser 2, en base a la normativa IEC825-1/EN60825-01 y a la clase II en base a CFR 21 § 1040 (FDA). Estas herramientas pueden emplearse sin utilizar otras medidas de protección. Los ojos están protegidos por el reflejo de cierre del párpado en caso de que se dirigiera la vista de modo casual y por un breve espacio de tiempo hacia el rayo láser. Este reflejo de cierre del párpado puede verse afectado negativamente por la influencia de medicamentos, alcohol o drogas. A pesar de ello no se debe mirar directamente a la fuente de luz, como sucede también en el caso del sol. No dirigir el rayo láser hacia las personas.

#### Placas sobre rayos láser en base a IEC825/EN6082-01:



#### Placas sobre rayos láser en EE.UU. en base a CFR 21 § 1040 (FDA):



This Laser Product complies with 21 CFR 1040 as applicable. (Este producto cumple la norma 21 CFR-1040.)

### 5.5 Medidas de seguridad generales

- Es necesario comprobar la herramienta antes de su utilización. En caso de que la herramienta estuviera dañada, llévala a un establecimiento del servicio técnico de Hilti.
- Es preciso comprobar la precisión de la herramienta en caso de que ésta se caiga

o se produzcan otros efectos mecánicos.

- Si la herramienta se lleva desde un entorno extremadamente frío a una zona cálida o viceversa, es preciso que se aclimate antes de utilizarla.
- Cuando se utilice la herramienta con adaptadores, asegúrese de que está firmemente atornillada.
- Para evitar errores de medición, mantenga limpio el orificio de salida del láser.
- Aunque esta herramienta ha sido concebida para emplearla en un entorno agresivo como la obra, manéjela con sumo cuidado, exactamente igual que otras herramientas ópticas (binoculares, gafas, cámaras fotográficas).
- A pesar de que la herramienta está protegida contra la entrada de humedad, séquela antes de introducirla en el contenedor de transporte.
- Inspeccionar la herramienta antes de realizar mediciones importantes.

#### 5.5.1 Peligro eléctrico

- No dejar las pilas al alcance de niños.
- No sobrecalentar las pilas y no exponerlas al fuego. De lo contrario, las pilas podrían explotar o liberar sustancias tóxicas.
- No recargue las pilas.
- No suelde las pilas en la herramienta.
- No descargue las pilas mediante cortocircuito, ya que podrían sobrecalentarse y provocar ampollas por quemaduras.
- No abra las pilas ni las exponga a una carga mecánica excesiva.

## 6. Puesta en servicio



### -INDICACIÓN-

Sólo se debe poner en funcionamiento la herramienta con pilas IEC o con paquete de batería PRA 801.

### Paquete de batería PRA 801

- El rendimiento de la batería disminuye a baja temperatura.
- Guarde la batería a temperatura ambiente.
- No guarde nunca la batería en un lugar expuesto al sol, sobre un radiador o detrás de una luna de cristal.

### Pilas

- No emplee pilas que estén dañadas.
- No mezcle pilas nuevas con viejas. No utilice pilas de varios fabricantes o con denominaciones de modelo diferentes.

### 6.1 Conexión de la herramienta

Pulse la tecla "ON/OFF (CONEXIÓN/DESCONEXIÓN)"

### -INDICACIÓN-

Una vez conectada la herramienta comienza la nivelación automática.

### 6.2 Indicaciones LED

#### LED de nivelación automática

El LED parpadea con rapidez.

La herramienta está en la fase de nivelación.

El LED está encendido.

La herramienta está nivelada/funciona correctamente.

#### LED de advertencia de choque

Parpadean todos los LED.

La herramienta ha chocado o ha perdido momentáneamente el elemento de nivel.

El LED de advertencia de choque está encendido en rojo.

Una vez que se ha desactivado la advertencia de choque el LED está encendido en rojo.

#### LED de tensión de la batería

El LED está encendido.

La batería está casi descargada.

#### LED de inclinación

Los LED X e Y están apagados

Trabajar en horizontal

El LED X está apagado y

el LED Y está encendido en rojo

Trabajar manualmente:

La dirección Y puede alinearse manualmente con las servoteclas.

X está todavía en modo de control.

El LED X está encendido en rojo y

el LED Y está apagado

Trabajar manualmente:

La dirección X puede alinearse manualmente con las servoteclas.

Y está todavía en modo de control.

El LED X está encendido en rojo y

el LED Y está encendido en rojo

Trabajar manualmente:

La dirección X e Y pueden alinearse manualmente con las servoteclas.

La advertencia de choque está desactivada.

### 6.3 Colocación de pilas nuevas **2**

1. Abra el compartimento de las baterías girando el bloqueo.
2. Introduzca las pilas en el compartimento para pilas. Observar la polaridad.
3. Cierre el compartimento de las baterías girando el bloqueo.

## 7. Manejo



### 7.1 Conexión de la herramienta y trabajar con el receptor

1. El receptor de láser PRA 20 puede utilizarse para diámetros de hasta 400 m (1300 ft). La indicación del rayo láser es tanto óptica como acústica.
2. Situar el receptor PRA 20 en la regla telescópica o de nivelación según las especificaciones y conectar con la tecla "Conexión/Desconexión".
3. Seleccionar la sensibilidad deseada con la tecla para ajustar el área de indicación de la superficie de láser.
4. Ajuste opcional:  
Seleccionar el volumen deseado con la tecla para ajustar la señal acústica. Al conectar la herramienta se ajusta el volumen estándar. El volumen de la señal acústica conmutará cada vez que se pulse la tecla en el siguiente orden: normal/alto/desconectado.
5. Mantener el receptor PRA 20 con el rayo láser en rotación. La indicación del rayo láser es tanto óptica como acústica.

### 7.2 Trabajar en horizontal

1. Según el uso que se le vaya a dar, puede montarse la herramienta, p. ej., sobre un trípode.
2. Pulsar la tecla "Conexión/Desconexión"
3. El LED de autonivelación parpadea en color verde. Un poco antes de alcanzar la nivelación, se conecta el rayo láser y comienza a rotar. El LED de autonivelación está encendido.

### 7.3 Trabajar manualmente

1. Según el uso que se le vaya a dar, puede montarse la herramienta, p. ej., sobre un trípode.
2. Si se selecciona el modo manual para la dirección X e Y, deja de estar controlada la posición horizontal.
3. Inclinación de la dirección X. Pulsar 2 veces las servoteclas X en el transcurso de 2 segundos. La dirección X puede alinearse manualmente con las servoteclas. El LED Y está encendido en rojo
4. Inclinación de la dirección Y. Pulsar 2 veces las servoteclas Y en el transcurso de 2 segundos. La dirección Y puede alinearse manualmente con las servoteclas. El LED Y está encendido en rojo.
5. Para volver al modo original es preciso desconectar y volver a conectar la herramienta.

#### -INDICACIÓN-

Si se trabajó por última vez con el ajuste manual de la dirección (dirección X y/o Y), puede pulsarse en el transcurso de 3 segundos tras la desconexión de la herramienta una de las teclas "Inclinación/dirección" para mantener el último ajuste. Si no se confirma pulsando la tecla "Inclinación/dirección", la herramienta regresa automáticamente al modo estándar.

## 7.4 Desconexión de la función de nivelación

La función de nivelación puede desactivarse pulsando una combinación de teclas. Esto significa que las teclas de inclinación se quedarían sin funcionamiento.

La combinación de teclas se pone en marcha en modo desconectado.

Es preciso activar la siguiente combinación de teclas para llevar a cabo la desactivación:

- Pulsar al mismo tiempo las teclas Y-/ advertencia de choque e inmediatamente el botón de conexión/desconexión, a continuación y en el transcurso de 10 segundos la tecla Y+ (antes de pulsar la tecla Y+, soltar las teclas anteriores).

Puede deshacerse el proceso de desactivación. La función de inclinación se activa volviendo a pulsar la misma combinación de teclas.

## 8. Servicio de calibrado de Hilti

Se recomienda realizar una inspección regular del láser rotatorio y de los aparatos receptores a través del servicio de calibrado de Hilti para que quede garantizada la fiabilidad en función de las normativas y de los requisitos legales pertinentes.

El servicio de calibrado de Hilti está en todo momento a su disposición; se recomienda realizarlo al menos una vez al año.

Dentro de las directrices del servicio de calibrado Hilti se garantiza que las especificaciones del aparato inspeccionado se corresponden con los datos técnicos del manual de instrucciones en el día concreto de la inspección.

Si se determinaran desviaciones respecto a los datos del fabricante, se volverían a ajustar los aparatos de medición usados. Una vez realizado el ajuste y la comprobación se coloca en el aparato un distintivo de calibrado en el que se confirma por escrito con un certificado que el aparato funciona según las especificaciones del fabricante.

Los certificados de calibrado son indispensables para empresas que se rigen por la normativa ISO 900X.

Su proveedor de Hilti más cercano le informará acerca de las dudas que aún pudieran quedarle.

### 8.1 Comprobar la rotación horizontal

Comprobar la alineación horizontal de la herramienta en dirección X o en dirección Y:

#### 8.1.1 Comprobación 4

1. Coloque la herramienta en dirección horizontal a unos 20 m (65 ft) de una pared (también puede hacerse sobre un trípode).
2. Marque un punto en la pared con ayuda del receptor.
3. Gire la herramienta 180° sobre el eje de la misma (utilizar el mismo eje).
4. Marque un segundo punto en la pared con ayuda del receptor.

Si este proceso se ha llevado a cabo de manera correcta, la distancia de las marcas A – B debe ser menor de 2 mm / 0,15 pulgadas (en 20 m / 65 ft).

➔ Si la desviación es mayor: lleve la herramienta al departamento de servicio técnico de Hilti.



## 9. Cuidado y mantenimiento

### 9.1 Limpieza y secado

- Quitar soplando el polvo de las lentes.
- No tocar el vidrio con los dedos.
- Limpiarlo únicamente con un trapo limpio y suave; si fuera necesario, humedecer con alcohol puro o un poco de agua.

### -INDICACIÓN-

- No utilizar ningún otro tipo de líquido, ya que podrían dañar las piezas de plástico.
- Tener en cuenta los valores límite de temperatura durante el almacenamiento de su equipo, especialmente en invierno o verano y si guarda el equipo en el maletero o habitáculo de su vehículo. (– 30 °C hasta +60 °C / –22 °F hasta +140 °F)

### 9.2 Almacenamiento

Desembalar las herramientas que se hayan mojado. Secar la herramienta, el depósito de transporte y los accesorios (a una temperatura máxima de 40 °C/108 °F) y limpiarlos. Volver a embalar el equipo cuando esté completamente seco.

Lleve a cabo una medición de control antes de su utilización, si la herramienta ha estado durante un periodo prolongado almacenada o ha sufrido un transporte de larga duración.

Sacar las pilas si se va almacenar la herramienta durante mucho tiempo.

### 9.3 Transporte

Para el transporte o envío del equipo utilizar cartón de embalajes de Hilti o un embalaje equivalente.

### -INDICACIÓN-

Enviar siempre la herramienta sin pilas.

## 10. Reciclaje

### -PRECAUCIÓN-

Una eliminación no autorizada del equipo puede tener las siguientes consecuencias:

- Si se queman las piezas de plástico se generan gases tóxicos que pueden afectar a las personas.
- Si las pilas están dañadas o se calientan en exceso pueden explotar y ocasionar intoxicaciones, incendios, causticaciones o contaminación del medio ambiente.
- Si se realiza una evacuación imprudente, el equipo puede caer en manos de personas no autorizadas que hagan un uso inadecuado del mismo. De ello se deduce que podrían resultar dañadas terceras personas y el medio ambiente se vería perjudicado.



Las herramientas Hilti están fabricadas en su mayor parte con materiales reutilizables. La condición para dicha reutilización es una separación de materiales adecuada.

En muchos países, Hilti ya está organizada para recoger su vieja herramienta y proceder a su recuperación. Póngase en contacto con el servicio de atención al cliente de Hilti o con su asesor de ventas.



Eliminar las pilas según las disposiciones nacionales. Colabore con nosotros en el cuidado y preservación del medio ambiente.



Sólo para países de la Unión Europea  
¡No deseche los aparatos eléctricos junto con los residuos domésticos! De conformidad con la Directiva Europea 2002/96/CE sobre residuos de aparatos eléctricos y electrónicos y su aplicación de acuerdo con la legislación nacional, las herramientas eléctricas cuya vida útil haya llegado a su fin se deberán recoger por separado y trasladar a una planta de reciclaje que cumpla con las exigencias ecológicas.

## 11. Garantía del fabricante de las herramientas

Hilti garantiza la herramienta suministrada contra todo fallo de material y de fabricación. Esta garantía se otorga a condición de que la herramienta sea utilizada, manejada, limpiada y revisada en conformidad con el manual de instrucciones de Hilti, y de que el sistema técnico sea salvaguardado, es decir, que se utilicen en la herramienta exclusivamente consumibles, accesorios y piezas de recambio originales de Hilti.

Esta garantía abarca la reparación gratuita o la sustitución sin cargo de las piezas defectuosas durante toda la vida útil de la herramienta. La garantía no cubre las pie-

zas sometidas a un desgaste normal. Hilti será quien defina cuál es el periodo de vida útil de la herramienta, fijando este plazo siempre por encima de lo que marque la ley vigente

**Quedan excluidas otras condiciones que no sean las expuestas, siempre que esta condición no sea contraria a las prescripciones nacionales vigentes. Hilti no acepta la responsabilidad especialmente en relación con deterioros, pérdidas o gastos directos, indirectos, accidentales o consecutivos, en relación con la utilización o a causa de la imposibilidad de utilización de la herramienta para cualquiera de sus finalidades. Quedan excluidas en particular todas las garantías tácitas relacionadas con la utilización y la idoneidad para una finalidad precisa.**

Para toda reparación o recambio, les rogamos que envíen la herramienta o las piezas en cuestión a la dirección de su organización de venta Hilti más cercana inmediatamente después de la constatación del defecto.

Estas son las únicas obligaciones de Hilti en materia de garantía, las cuales anulan toda declaración anterior o contemporánea, del mismo modo que todos los acuerdos orales o escritos en relación con las garantías.

## 12. Indicación FFC (válida en EE.UU.)

### -PRECAUCIÓN-

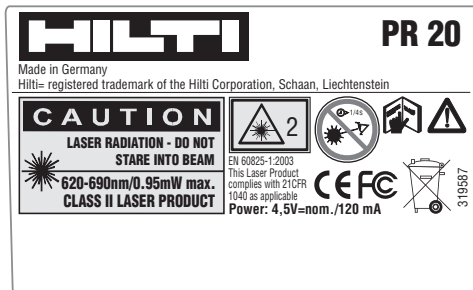
Esta herramienta ha cumplido en las pruebas realizadas los valores límites que se estipulan en el apartado 15 de la normativa FFC para herramientas digitales de la clase B. Estos valores límites suponen una protección suficiente ante radiaciones por avería en instalaciones situadas en zonas habitadas. Las herramientas de este tipo generan y utilizan altas frecuencias y pueden por tanto emitirlos. Por esta razón pueden provocar anomalías en la recepción radiofónica, si no se ha instalado y puesto en funcionamiento según las especificaciones correspondientes.

No puede garantizarse la ausencia total de anomalías en instalaciones específicas. En caso de que esta herramienta causara anomalías en la recepción radiofónica o televisiva (puede comprobarse mediante la conexión y desconexión de la herramienta), se ruega al usuario que subsane estas anomalías mediante las siguientes medidas:

- Volver a tender o cambiar de sitio la antena de recepción.
- Aumentar la distancia entre la herramienta y el receptor.
- Solicitar consejo a su proveedor o a un técnico de radio y televisión.

Todas aquellas modificaciones realizadas que no hayan sido permitidas de forma expresa por Hilti, pueden limitar el derecho del usuario a poner la herramienta en funcionamiento.

Inscripciones del producto:



## 13. Declaración de conformidad CE

Denominación: Láser rotatorio  
 Denominación del modelo: PR 20  
 Año de fabricación: 2003  
 Conforme a  
 CE

Declaramos bajo nuestra responsabilidad que este producto cumple las siguientes directrices y normas:  
 EN 50081-1 y EN 50082-1 según la normativa de las directrices 89/336/CEE

Hilti Corporation

Matthias Gillner  
 Head BU  
 Measuring Systems  
 12/2004

Dr. Heinz-Joachim Schneider  
 Executive Vice President  
 BA Electric  
 Tools & Accessories  
 12/2004

## Hilti Corporation

---

FL-9494 Schaan

Tel.: +423 / 234 21 11

Fax: +423 / 234 29 65

[www.hilti.com](http://www.hilti.com)

