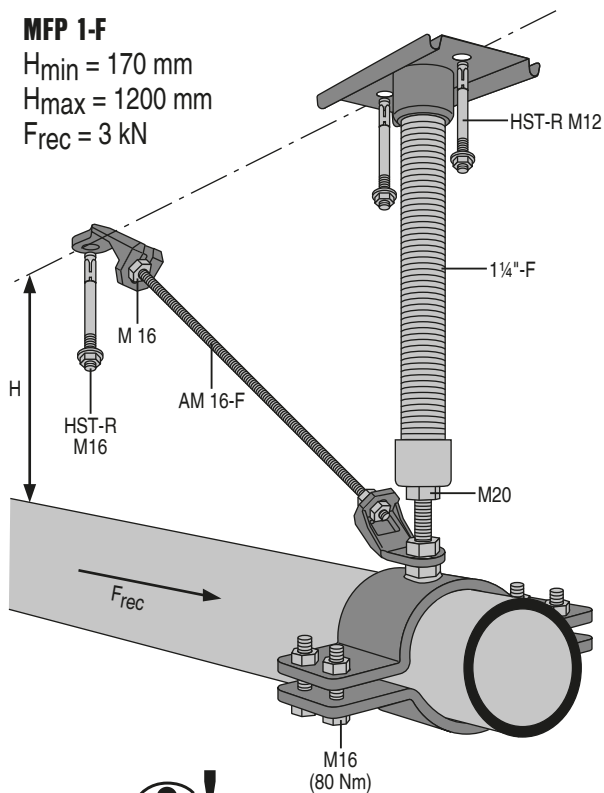


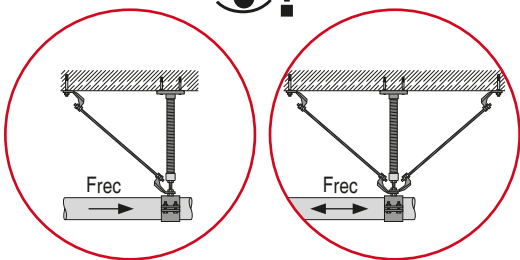
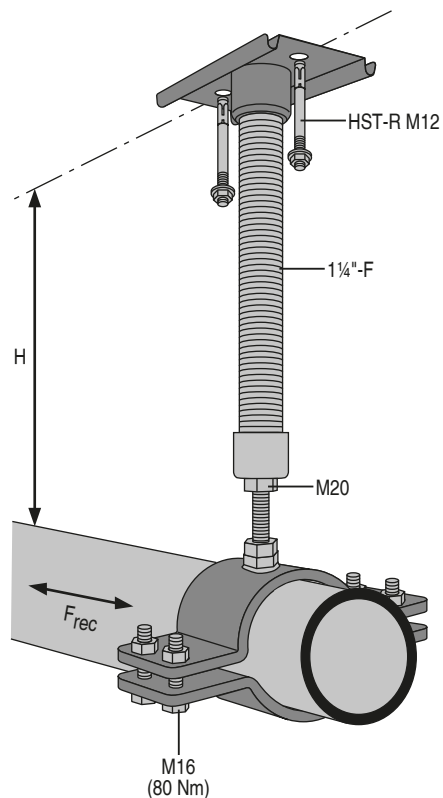
MFP 1-F

$H_{min} = 170 \text{ mm}$
 $H_{max} = 1200 \text{ mm}$
 $F_{rec} = 3 \text{ kN}$



MFP 1a-F

$H_{min} = 140 \text{ mm}$
 $H_{max} = 800 \text{ mm}$
 $F_{rec} [\text{kN}] = 480 \text{ Nm/H} [\text{mm}] \leq 3 \text{ kN}$



MFP 1-F		MFP 1a-F	
MFP-NW ...-F			
MFP-BP 20-F	# 304252 		
MFP-AP 1-F	# 304253 		
1 1/4\"/>	# 304783 		
AM 16-F	# 304777 		
2x HST-R M12/20	# 435454 		
1x HST-R M16/25	# 376051 		
SW 19, SW 24, SW 30		SW 19, SW 30	

